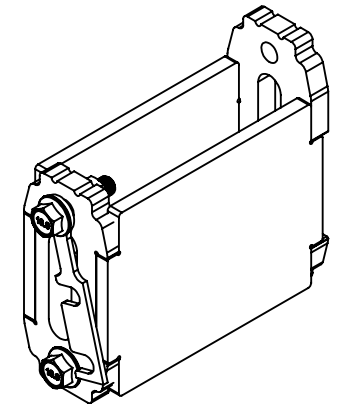
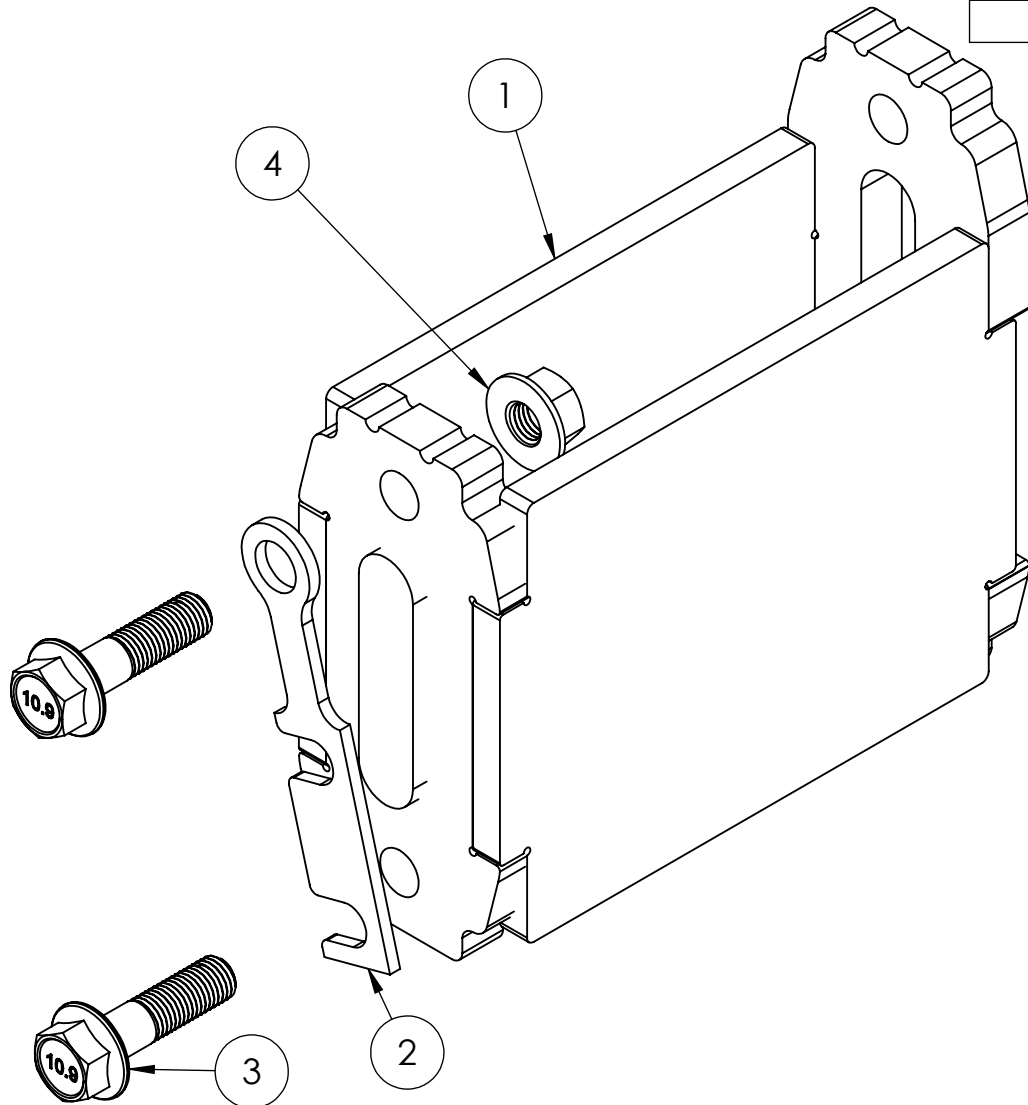


| ITEM | PART #  | DESCRIPTION                 | QTY. | Price ea. |
|------|---------|-----------------------------|------|-----------|
| 1    | JD-LE09 | John Deere Ladder Extension | 1    | \$150.00  |
| 2    | 31-1000 | Spacer                      | 1    | \$10.00   |
| 3    | 99062   | 16mm x 60 Flange Head Bolt  | 2    | \$10.00   |
| 4    | 99063   | 16mm Serrated Flange Nut    | 2    | \$7.50    |



**PROPRIETARY AND CONFIDENTIAL**

THE INFORMATION CONTAINED IN THIS DRAWING IS THE SOLE PROPERTY OF NOT DEAD YET MANUFACTURING, INC. ANY REPRODUCTION IN PART OR AS A WHOLE WITHOUT THE WRITTEN PERMISSION OF NOT DEAD YET MANUFACTURING, INC. IS PROHIBITED.

COMMENTS:

**Complete Unit-\$191.00**

TITLE: **John Deere Ladder Extension**

|                  |                            |     |
|------------------|----------------------------|-----|
| SIZE<br><b>A</b> | DWG. NO.<br><b>JD-LE09</b> | REV |
|------------------|----------------------------|-----|

|            |         |              |
|------------|---------|--------------|
| SCALE: 1:4 | WEIGHT: | SHEET 3 OF 3 |
|------------|---------|--------------|

Date:5/24/17  
Drawn by:PO

