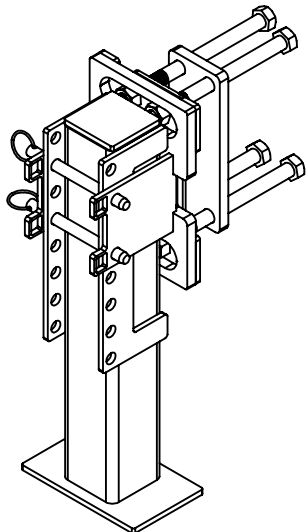


ITEM	PART NUMBER	DESCRIPTION	QTY.	Price ea.
1	JD-JS-01	Jack Stand Mount	1	\$50.00
2	JD-JS-02	Jack Stand	1	\$90.00
3	28-1000	Spacer Plate	1	\$8.00
4	28-5001	Connector Plate	1	\$12.00
5	99064	5/8"-11 X 7.5" HCS	4	\$2.65
6	99024	5/8-11 Hex Nut	4	\$0.38
7	99110	5/8 Lock Washer	4	\$0.15
8	99205	Quick-Tach Pin	2	\$5.00



\*Jack Stand comes in a set of 2

Date: 5/23/17  
 Drawn by: PO



**PROPRIETARY AND CONFIDENTIAL**

THE INFORMATION CONTAINED IN THIS DRAWING IS THE SOLE PROPERTY OF NOT DEAD YET MANUFACTURING, INC. ANY REPRODUCTION IN PART OR AS A WHOLE WITHOUT THE WRITTEN PERMISSION OF NOT DEAD YET MANUFACTURING, INC. IS PROHIBITED.

COMMENTS:

**Complete set- \$298.00**

TITLE: **John Deere Jack Stand**

SIZE **A** DWG. NO. **JDJS-600** REV

SCALE: 1:6 WEIGHT: SHEET 1 OF 1