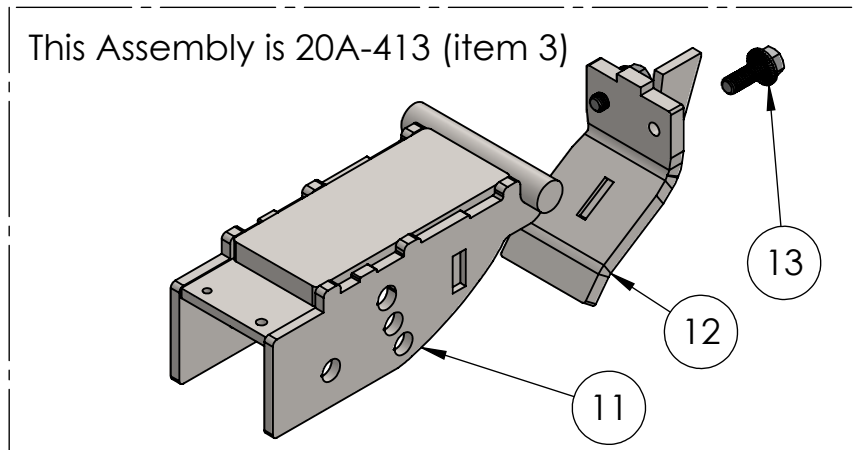


ITEM	PART #	DESCRIPTION	QTY.	Price ea.
1	20S-BOA-4	Short Bolt On Arm	1	
2	20-1028_B	10" Short AR Center Skin	1	\$48.00
3	20A-413	3 Position Set Back Arm	1	\$98.00
4	20-905	Case Hardened Ext. Bushing	1	\$9.72
5	20-906	Case Hardened Int. Pivot Bushing	1	\$8.90
6	20-909	Hex Bolt W/ Grease Zerk	1	\$9.56
7	99004	1/2-13 Two Way Locknut	1	\$0.33
8	99130	3/8"-16 x 1" Carriage Bolt	3	\$0.28
9	99132	3/8"-16 Flange Nut	3	\$0.20
10	99203	Torsion Spring	1	



ITEM	PART #	DESCRIPTION	QTY.	Price ea.
11	20A-413A	3 Position SB Top Arm	1	\$71.00
12	20A-413B	3 Position SB Stop	1	\$28.00
13	99146	3/8"-16 x 1" Serrated Hex Flange Bolt	2	\$0.69

**PROPRIETARY AND CONFIDENTIAL**

THE INFORMATION CONTAINED IN THIS DRAWING IS THE SOLE PROPERTY OF NOT DEAD YET MANUFACTURING, INC. ANY REPRODUCTION IN PART OR AS A WHOLE WITHOUT THE WRITTEN PERMISSION OF NOT DEAD YET MANUFACTURING, INC. IS PROHIBITED.

COMMENTS:

**Complete Shoe - \$238.00**

TITLE:

**10" AR Short Shoe**

SIZE DWG. NO. REV  
**A 20AS-AR552**

SCALE: 1:12 WEIGHT: SHEET 1 OF 1



1/20/17