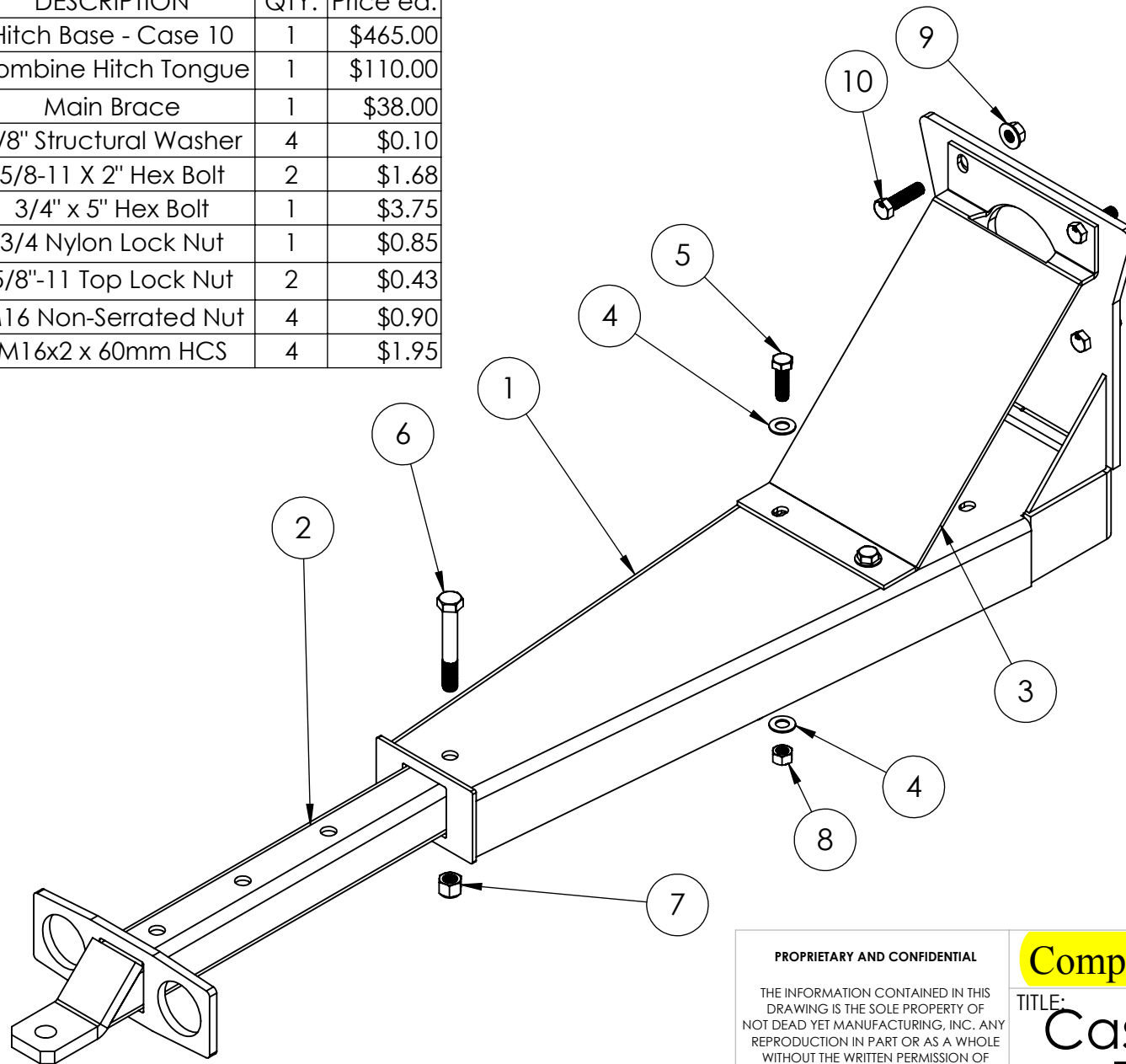


ITEM	PART #	DESCRIPTION	QTY.	Price ea.
1	25-9105	Hitch Base - Case 10	1	\$465.00
2	25-9900	Combine Hitch Tongue	1	\$110.00
3	25-2020	Main Brace	1	\$38.00
4	99017	5/8" Structural Washer	4	\$0.10
5	99109	5/8-11 X 2" Hex Bolt	2	\$1.68
6	99112	3/4" x 5" Hex Bolt	1	\$3.75
7	99113	3/4 Nylon Lock Nut	1	\$0.85
8	99134	5/8"-11 Top Lock Nut	2	\$0.43
9	99228	M16 Non-Serrated Nut	4	\$0.90
10	99235	M16x2 x 60mm HCS	4	\$1.95



PROPRIETARY AND CONFIDENTIAL

THE INFORMATION CONTAINED IN THIS DRAWING IS THE SOLE PROPERTY OF NOT DEAD YET MANUFACTURING, INC. ANY REPRODUCTION IN PART OR AS A WHOLE WITHOUT THE WRITTEN PERMISSION OF NOT DEAD YET MANUFACTURING, INC. IS PROHIBITED.

COMMENTS:

Fits:
5088, 5130, 5140,
6088, 6130, 6140
7010, 7088, 7030,
7130, 7140

1/16/17

Complete Hitch - \$585.00

TITLE:
**Case Combine
Tow Hitch**

SIZE A	DWG. NO. CBTH-10	REV
------------------	----------------------------	-----

SCALE: 1:8 WEIGHT: 150 lbs SHEET 1 OF 1