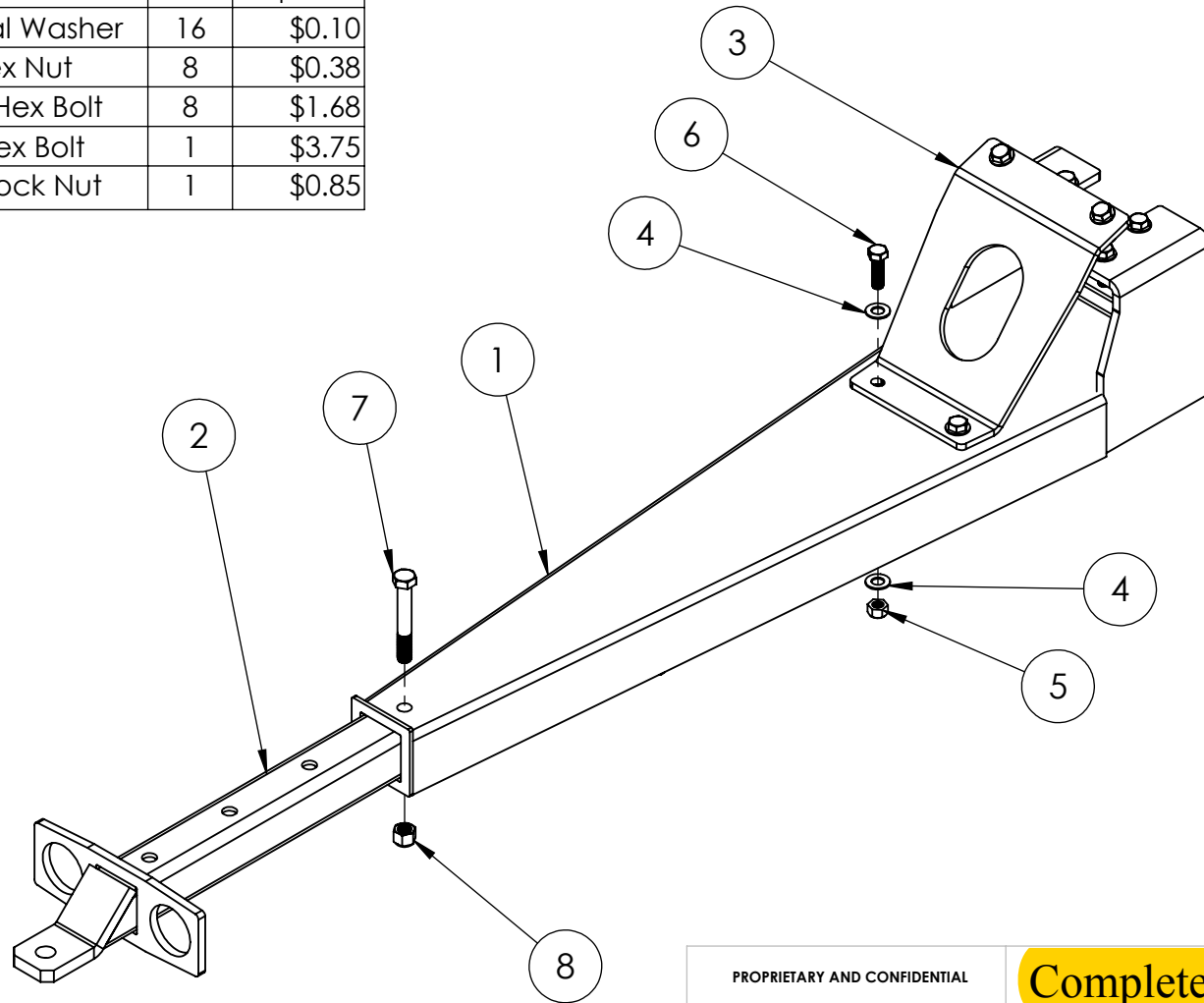


ITEM	PART #	DESCRIPTION	QTY.	Price ea.
1	25-9115	Combine Hitch 2012-	1	\$465.00
2	25-9900	Combine Hitch Tongue	1	\$110.00
3	25-3100	"S" Series Plate	1	\$35.00
4	99017	5/8" Structural Washer	16	\$0.10
5	99024	5/8-11 Hex Nut	8	\$0.38
6	99109	5/8-11 X 2" Hex Bolt	8	\$1.68
7	99112	3/4" x 5" Hex Bolt	1	\$3.75
8	99113	3/4 Nylon Lock Nut	1	\$0.85



1/16/17

PROPRIETARY AND CONFIDENTIAL

THE INFORMATION CONTAINED IN THIS DRAWING IS THE SOLE PROPERTY OF NOT DEAD YET MANUFACTURING, INC. ANY REPRODUCTION IN PART OR AS A WHOLE WITHOUT THE WRITTEN PERMISSION OF NOT DEAD YET MANUFACTURING, INC. IS PROHIBITED.

COMMENTS:

Complete Hitch - \$585.00

TITLE: **JD S Series
Combine Tow Hitch
2012 & Older**

SIZE	DWG. NO.	REV
A	CBTH-S12	

SCALE: 1:10 WEIGHT: 135 lbs SHEET 1 OF 1

