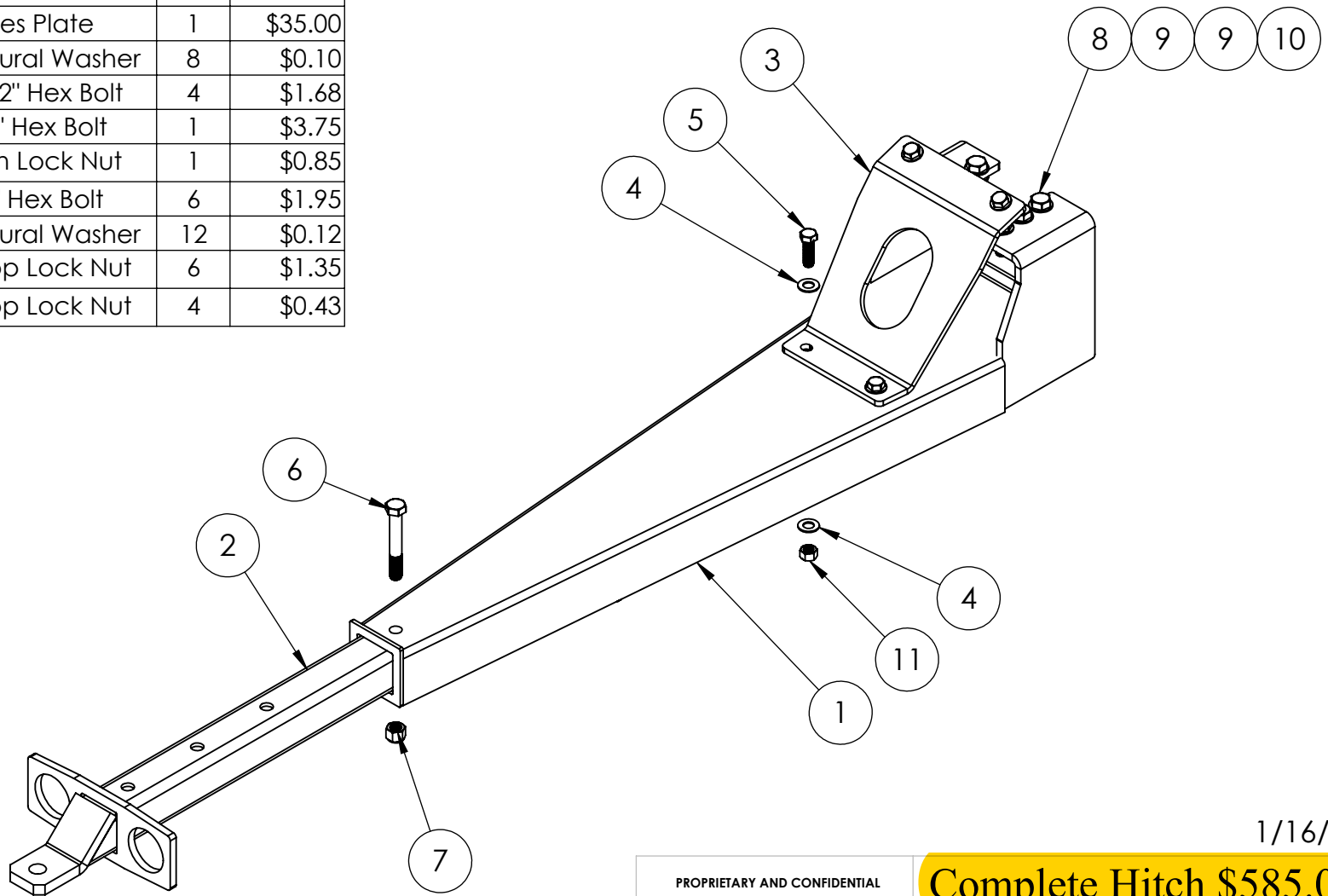


ITEM	PART #	DESCRIPTION	QTY.	Price ea.
1	25-9116	Combine Hitch 2013+	1	\$465.00
2	25-9900	Combine Hitch Tongue	1	\$110.00
3	25-3100	"S" Series Plate	1	\$35.00
4	99017	5/8" Structural Washer	8	\$0.10
5	99109	5/8-11 X 2" Hex Bolt	4	\$1.68
6	99112	3/4" x 5" Hex Bolt	1	\$3.75
7	99113	3/4 Nylon Lock Nut	1	\$0.85
8	99114	3/4 x 2" Hex Bolt	6	\$1.95
9	99115	3/4" Structural Washer	12	\$0.12
10	99133	3/4"-10 Top Lock Nut	6	\$1.35
11	99134	5/8"-11 Top Lock Nut	4	\$0.43



1/16/17

**Complete Hitch \$585.00**

**PROPRIETARY AND CONFIDENTIAL**

THE INFORMATION CONTAINED IN THIS DRAWING IS THE SOLE PROPERTY OF NOT DEAD YET MANUFACTURING, INC. ANY REPRODUCTION IN PART OR AS A WHOLE WITHOUT THE WRITTEN PERMISSION OF NOT DEAD YET MANUFACTURING, INC. IS PROHIBITED.

TITLE: **JD S Series  
Combine Tow hitch  
2013 & Newer**

COMMENTS:

SIZE **A** DWG. NO. **CBTH-S13** REV

SCALE: 1:10 WEIGHT: 135 lbs SHEET 1 OF 1

