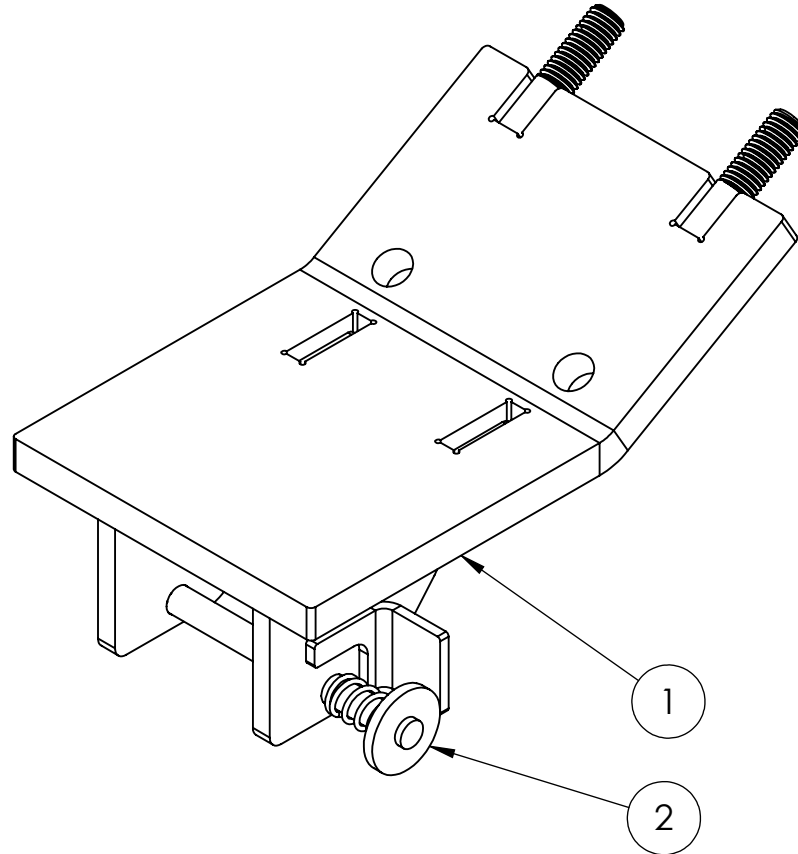


ITEM	PART #	DESCRIPTION	QTY.	Price ea.
1	CIH800M	Case Mount	1	\$85.00
2	99216	Quick Tach Pin	1	\$7.00



**PROPRIETARY AND CONFIDENTIAL**

THE INFORMATION CONTAINED IN THIS DRAWING IS THE SOLE PROPERTY OF NOT DEAD YET MANUFACTURING, INC. ANY REPRODUCTION IN PART OR AS A WHOLE WITHOUT THE WRITTEN PERMISSION OF NOT DEAD YET MANUFACTURING, INC. IS PROHIBITED.

COMMENTS:

**Complete Mount - \$90.00**

TITLE:

**Case 800 Mount**

SIZE	DWG. NO.	REV
<b>A</b>	<b>CIH800M-A</b>	

SCALE: 1:3	WEIGHT:	SHEET 1 OF 1
------------	---------	--------------

