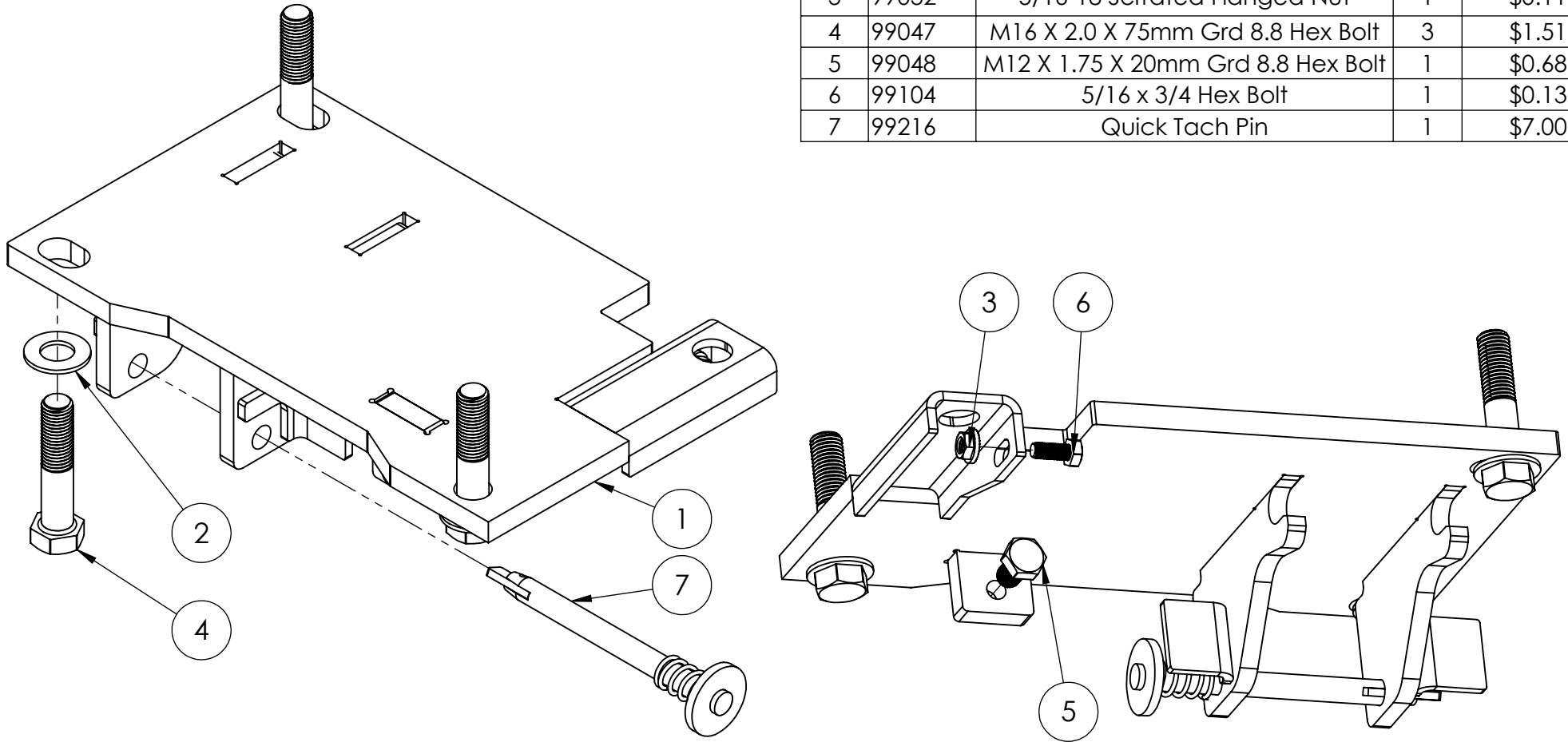


ITEM	PART #	DESCRIPTION	QTY.	Price ea.
1	CL-5041	Capello/Lexion Mount Brkt	1	\$125.00
2	99017	5/8" Structural Washer	3	\$0.10
3	99032	5/16-18 Serrated Flanged Nut	1	\$0.11
4	99047	M16 X 2.0 X 75mm Grd 8.8 Hex Bolt	3	\$1.51
5	99048	M12 X 1.75 X 20mm Grd 8.8 Hex Bolt	1	\$0.68
6	99104	5/16 x 3/4 Hex Bolt	1	\$0.13
7	99216	Quick Tach Pin	1	\$7.00



PROPRIETARY AND CONFIDENTIAL

THE INFORMATION CONTAINED IN THIS DRAWING IS THE SOLE PROPERTY OF NOT DEAD YET MANUFACTURING, INC. ANY REPRODUCTION IN PART OR AS A WHOLE WITHOUT THE WRITTEN PERMISSION OF NOT DEAD YET MANUFACTURING, INC. IS PROHIBITED.

COMMENTS:

Complete Mount - \$130.00

TITLE:

Lexion Mount

SIZE	DWG. NO.	REV
A	CL-5041-MA	

SCALE: 1:3	WEIGHT:	SHEET 1 OF 1
------------	---------	--------------



TE - 5/17