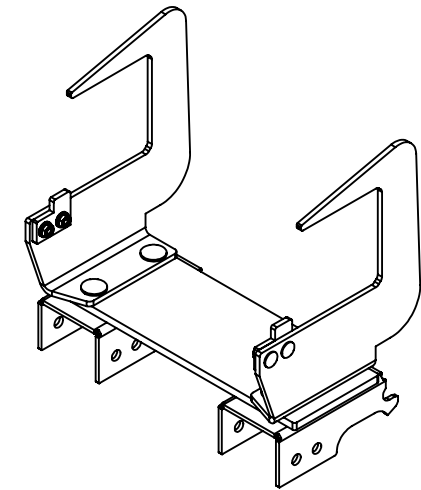


ITEM	PART #	DESCRIPTION	QTY.	Price ea.
1	21-3002	2-Row Hanger	1	\$20.00
2	21-1002	Storage Bracket Hanger	2	\$18.00
3	21-2004L	Hanger Arm	1	\$22.00
4	21-2004R	Hanger Arm	1	\$22.00
5	99025	1/2-13 Serrated Flanged Nut	4	\$0.24
6	99031	5/16-18 x 3/4" Carriage Bolt	4	\$0.19
7	99032	5/16-18 Serrated Flanged Nut	4	\$0.11
8	99034	1/2-13 x 1-1/4" Carriage Bolt	4	\$0.70
9	21-2014	Clip	2	\$3.90



1/18/17



PROPRIETARY AND CONFIDENTIAL

THE INFORMATION CONTAINED IN THIS DRAWING IS THE SOLE PROPERTY OF NOT DEAD YET MANUFACTURING, INC. ANY REPRODUCTION IN PART OR AS A WHOLE WITHOUT THE WRITTEN PERMISSION OF NOT DEAD YET MANUFACTURING, INC. IS PROHIBITED.

COMMENTS:
Fits:
Case 2200, 2400,
3200, 3400

NH 996 96C, 98C, 98D

Hanger - \$100.00

TITLE:

2-Row Hanger

SIZE DWG. NO. REV
A CNH22-34-2HG

SCALE: 1:5 WEIGHT: SHEET 1 OF 1

5

4

3

2

1