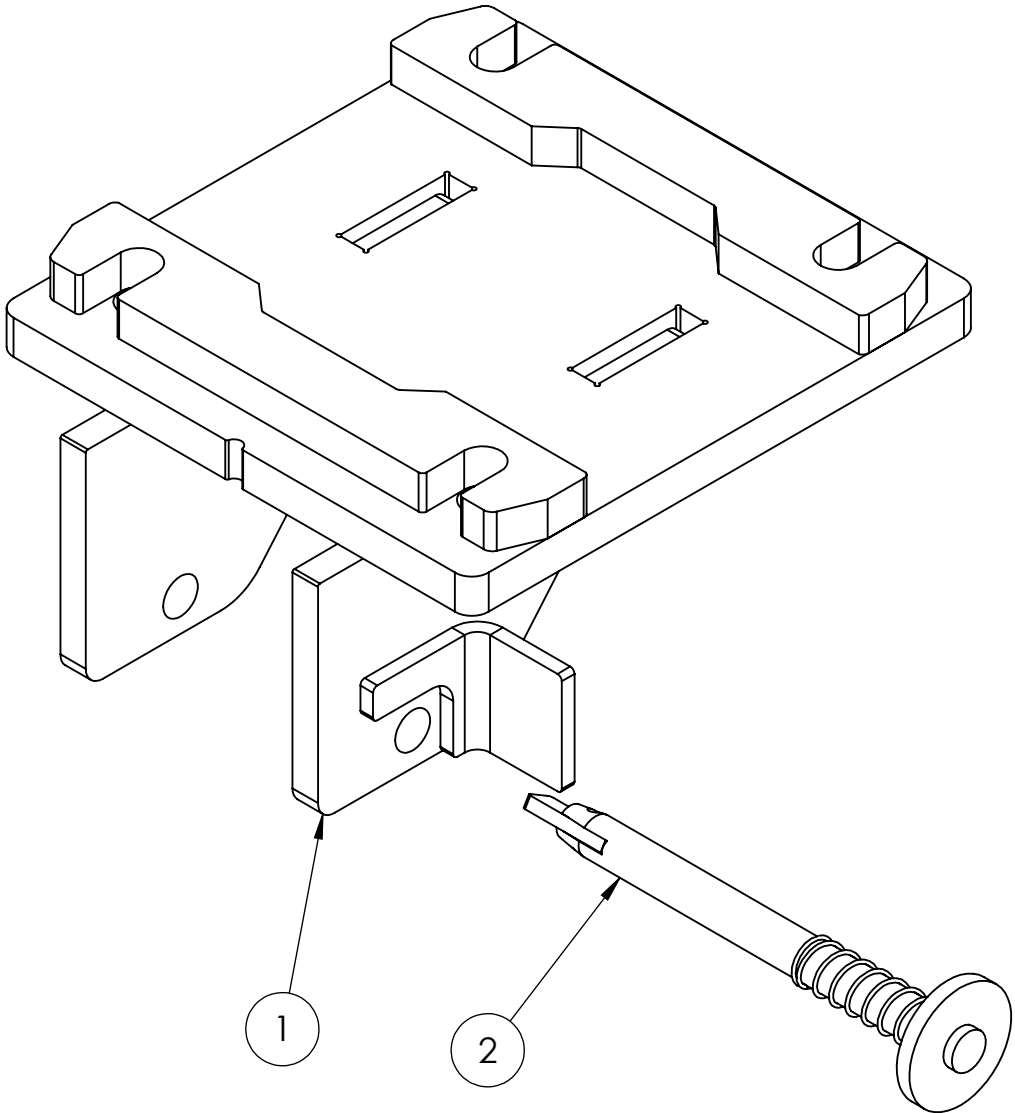


ITEM	PART #	DESCRIPTION	QTY.	Price ea.
1	CNH7-M	CNH 22/34 Mount	1	\$85.00
2	99216	Quick Tach Pin	1	\$7.00



<b>PROPRIETARY AND CONFIDENTIAL</b>		<b>Complete Mount - \$90.00</b>	
<p>THE INFORMATION CONTAINED IN THIS DRAWING IS THE SOLE PROPERTY OF NOT DEAD YET MANUFACTURING, INC. ANY REPRODUCTION IN PART OR AS A WHOLE WITHOUT THE WRITTEN PERMISSION OF NOT DEAD YET MANUFACTURING, INC. IS PROHIBITED.</p>		<p>TITLE: <b>Case NH 22/34 Mount</b></p>	
<p>COMMENTS: Case 22, 24, 32, 34 NH 996, 96C/D, 98C/D</p>		<p>SIZE <b>A</b></p>	<p>DWG. NO. <b>CNH7M-A</b></p>
		<p>SCALE: 1:2</p>	<p>WEIGHT:</p>
		<p>SHEET 1 OF 1</p>	

