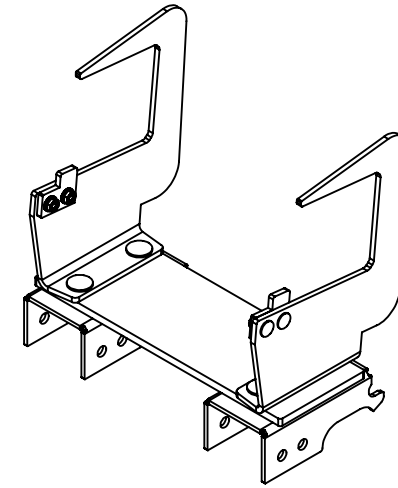
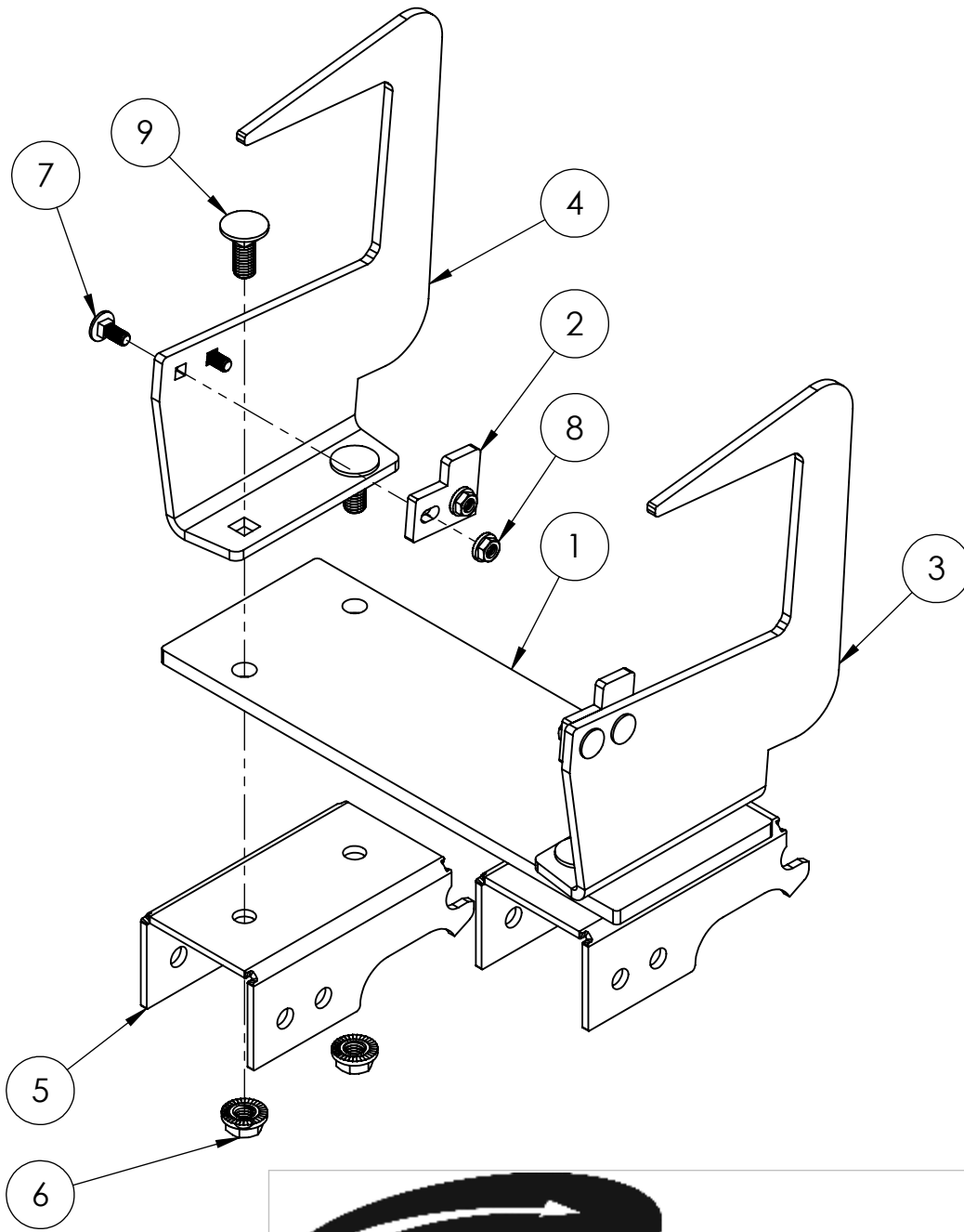


| ITEM | PART # | DESCRIPTION | QTY. | Price ea. |
|------|----------|-------------------------------|------|-----------|
| 1 | 21-3002 | 2-Row Hanger | 1 | \$20.00 |
| 2 | 21-2014 | Clip | 2 | \$3.90 |
| 3 | 21-2007L | Hanger Arm | 1 | \$22.00 |
| 4 | 21-2007R | Hanger Arm | 1 | \$22.00 |
| 5 | 21-1002 | Storage Bracket Hanger | 2 | \$18.00 |
| 6 | 99025 | 1/2-13 Serrated Flanged Nut | 4 | \$0.24 |
| 7 | 99031 | 5/16-18 x 3/4" Carriage Bolt | 4 | \$0.19 |
| 8 | 99032 | 5/16-18 Serrated Flanged Nut | 4 | \$0.11 |
| 9 | 99034 | 1/2-13 x 1-1/4" Carriage Bolt | 4 | \$0.70 |



1/17/17

PROPRIETARY AND CONFIDENTIAL

THE INFORMATION CONTAINED IN THIS DRAWING IS THE SOLE PROPERTY OF NOT DEAD YET MANUFACTURING, INC. ANY REPRODUCTION IN PART OR AS A WHOLE WITHOUT THE WRITTEN PERMISSION OF NOT DEAD YET MANUFACTURING, INC. IS PROHIBITED.

COMMENTS:

Fits Drago Series I & II

Hanger - \$100.00

TITLE:

2-Row Hanger

SIZE DWG. NO. REV
A **D8200-2HG**

SCALE: 1:4 WEIGHT: SHEET 1 OF 1



5

4

3

2

1