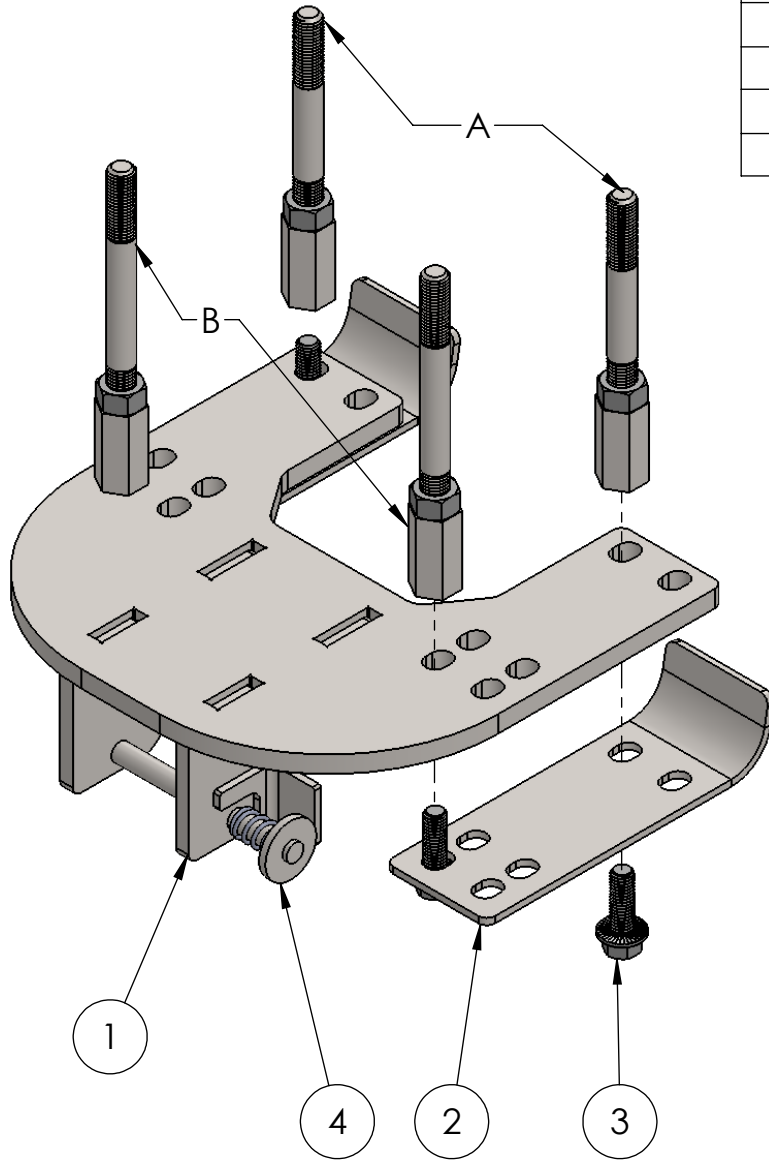


ITEM	PART #	DESCRIPTION	QTY.	Price ea.
1	GRH-UM16	Universal Geringhoff Mount	1	\$85.00
2	20-1099	Mount Skid Plate	2	\$14.00
3	99150	1/2"-13 x 1.5" Serrated Flange Cap Screw	4	\$1.20
4	99216	Quick Tach Pin	1	\$7.00



Horizon

Location	Part #	Length	Year
A	20-910	120mm	All Year
B	20-913	140mm	All Year

**Cylinder rows require GRH16-HZMA

NorthStar

Location	Part #	Length	Year
A	20-910	120mm	All Years
B	20-911	130mm	All Years

Rota Disc

Location	Part #	Length	Year	Price ea.
A	20-910	120mm	2010 & Newer	\$18.00
A	20-911	130mm	2009 & Older	\$18.00
B	20-912	110mm	2010 & Newer	\$18.00
B	20-913	140mm	2009 & Older	\$18.00

PROPRIETARY AND CONFIDENTIAL

THE INFORMATION CONTAINED IN THIS DRAWING IS THE SOLE PROPERTY OF NOT DEAD YET MANUFACTURING, INC. ANY REPRODUCTION IN PART OR AS A WHOLE WITHOUT THE WRITTEN PERMISSION OF NOT DEAD YET MANUFACTURING, INC. IS PROHIBITED.

COMMENTS:

Complete Mount - \$150.00

TITLE:

Geringhoff Mount

SIZE DWG. NO. REV
A GRH2016-MA

SCALE: 1:4 WEIGHT: SHEET 1 OF 1



TE - 5/17