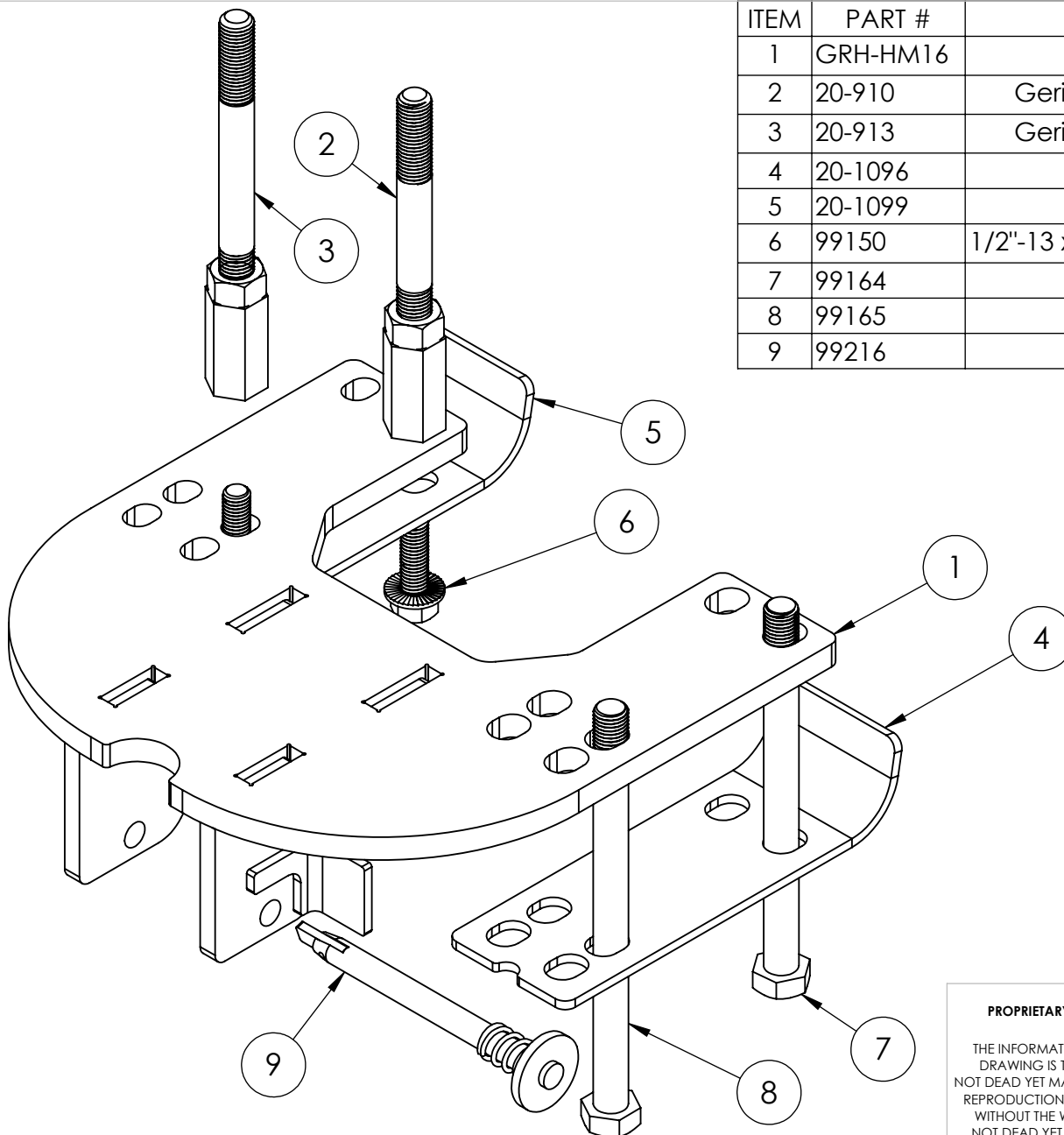


ITEM	PART #	DESCRIPTION	QTY.	Price ea.
1	GRH-HM16	Horizon Cylinder Mount	1	\$85.00
2	20-910	Geringhoff Mount Spacer 120mm	1	\$18.00
3	20-913	Geringhoff Mount Spacer 140mm	1	\$18.00
4	20-1096	Mount Skid Plate	1	\$14.00
5	20-1099	Mount Skid Plate	1	\$14.00
6	99150	1/2"-13 x 1.5" Serrated Flange Cap Screw	2	\$1.20
7	99164	M16 x 2 x 200mm HCS	1	\$3.60
8	99165	M16 x 2 x 220mm HCS	1	\$3.80
9	99216	Quick Tach Pin	1	\$7.00



PROPRIETARY AND CONFIDENTIAL

THE INFORMATION CONTAINED IN THIS DRAWING IS THE SOLE PROPERTY OF NOT DEAD YET MANUFACTURING, INC. ANY REPRODUCTION IN PART OR AS A WHOLE WITHOUT THE WRITTEN PERMISSION OF NOT DEAD YET MANUFACTURING, INC. IS PROHIBITED.

COMMENTS:

TE 5/17

Complete Mount - \$150.00

TITLE:

**Geringhoff Horizon
Cylinder Mount**

SIZE

DWG. NO.

REV

A

GRH2016HZ-MA

SCALE: 1:3

WEIGHT:

SHEET 1 OF 1