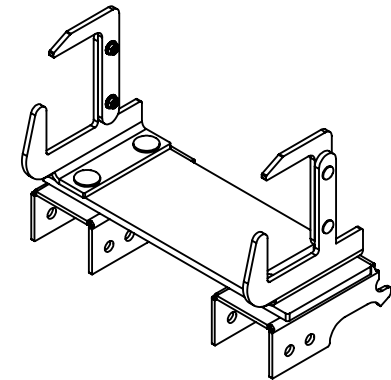


| ITEM | PART #   | DESCRIPTION                   | QTY. | Price ea. |
|------|----------|-------------------------------|------|-----------|
| 1    | 21-3002  | 2-Row Hanger                  | 1    | \$20.00   |
| 2    | 21-2002  | Clip                          | 2    | \$5.00    |
| 3    | 21-2003L | Hanger Arm                    | 1    | \$20.00   |
| 4    | 21-2003R | Hanger Arm                    | 1    | \$20.00   |
| 5    | 21-1002  | Storage Bracket Hanger        | 2    | \$18.00   |
| 6    | 99020    | 1/4-20 Serrated Flanged Nut   | 4    | \$0.06    |
| 7    | 99021    | 1/4-20 x 3/4" Carriage Bolt   | 4    | \$0.13    |
| 8    | 99025    | 1/2-13 Serrated Flanged Nut   | 4    | \$0.24    |
| 9    | 99034    | 1/2-13 x 1-1/4" Carriage Bolt | 4    | \$0.70    |



1/17/17

PROPRIETARY AND CONFIDENTIAL

THE INFORMATION CONTAINED IN THIS DRAWING IS THE SOLE PROPERTY OF NOT DEAD YET MANUFACTURING, INC. ANY REPRODUCTION IN PART OR AS A WHOLE WITHOUT THE WRITTEN PERMISSION OF NOT DEAD YET MANUFACTURING, INC. IS PROHIBITED.

COMMENTS:

**Hanger - \$100.00**

TITLE:

**2-Row Hanger**

|          |                    |     |
|----------|--------------------|-----|
| SIZE     | DWG. NO.           | REV |
| <b>A</b> | <b>JD40-90-2HG</b> |     |

|            |         |              |
|------------|---------|--------------|
| SCALE: 1:4 | WEIGHT: | SHEET 1 OF 1 |
|------------|---------|--------------|

