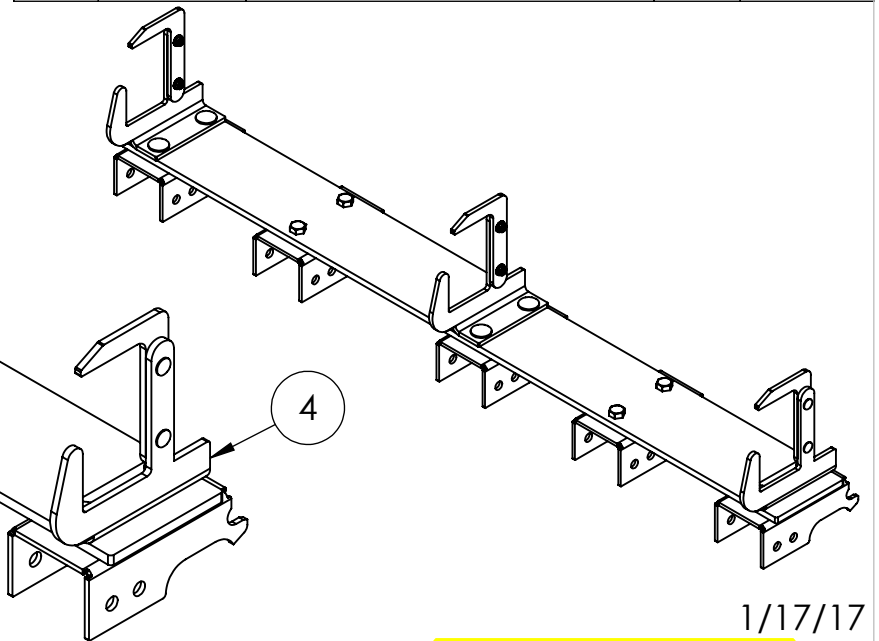


Item	PART #	DESCRIPTION	QTY.	Price ea.
1	21-3005	5-Row Hanger	1	\$57.00
2	21-2002	Clip	3	\$5.00
3	21-2003L	Hanger Arm	2	\$20.00
4	21-2003R	Hanger Arm	1	\$20.00
5	21-1002	Storage Bracket Hanger	5	\$18.00
6	99020	1/4-20 Serrated Flanged Nut	6	\$0.06
7	99021	1/4-20 x 3/4" Carriage Bolt	6	\$0.13
8	99025	1/2-13 Serrated Flanged Nut	10	\$0.24
9	99034	1/2-13 x 1-1/4" Carriage Bolt	6	\$0.70
10	99037	1/2"-13 x 1" Hex Bolt	4	\$0.57



1/17/17

PROPRIETARY AND CONFIDENTIAL

THE INFORMATION CONTAINED IN THIS DRAWING IS THE SOLE PROPERTY OF NOT DEAD YET MANUFACTURING, INC. ANY REPRODUCTION IN PART OR AS A WHOLE WITHOUT THE WRITTEN PERMISSION OF NOT DEAD YET MANUFACTURING, INC. IS PROHIBITED.

COMMENTS:

Hanger - \$180.00

TITLE:

5-Row Hanger

SIZE

A

DWG. NO.

JD40-90-5HG

REV

SCALE: 1:6

WEIGHT:

SHEET 1 OF 1

