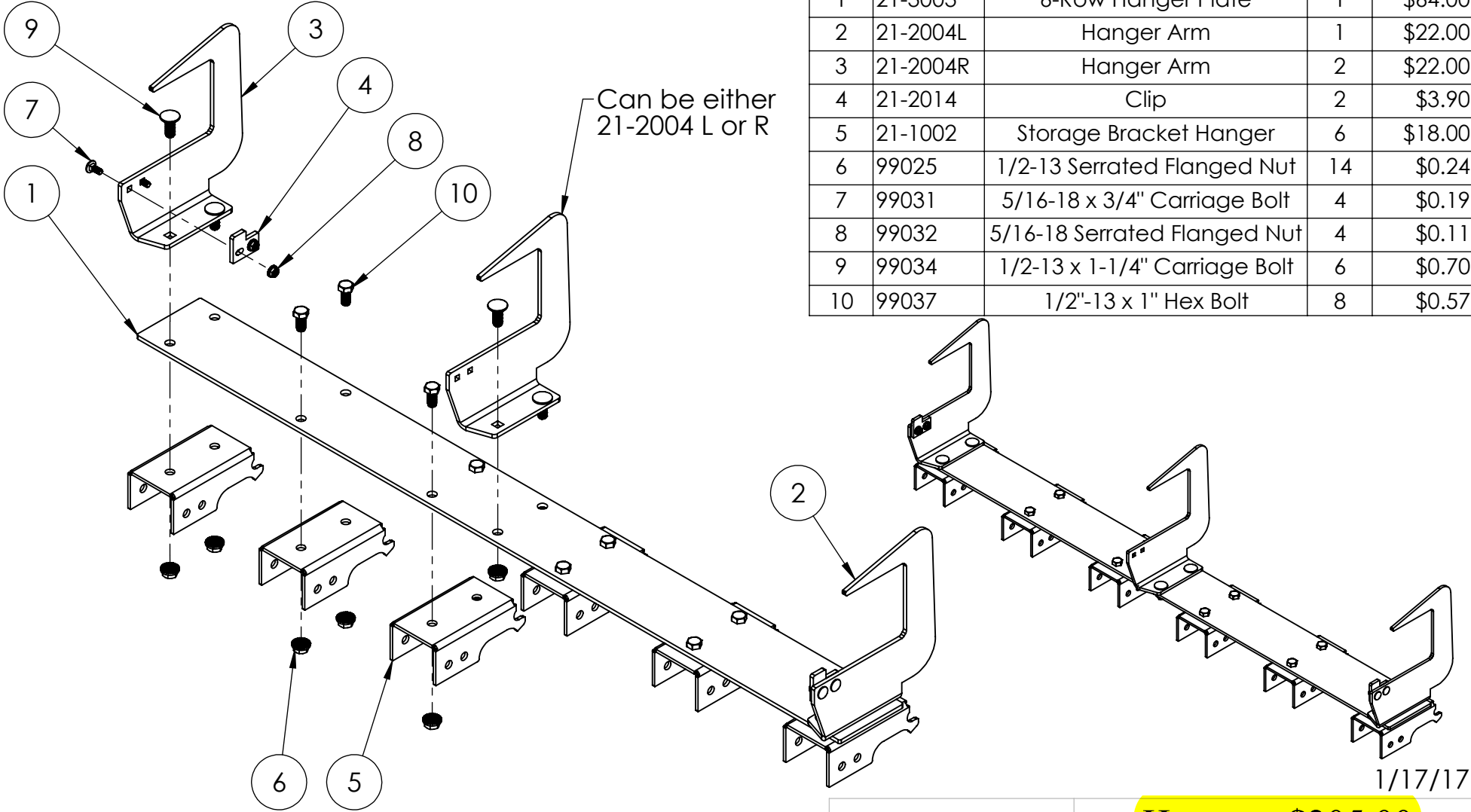


| ITEM | PART #   | DESCRIPTION                   | QTY. | Price ea. |
|------|----------|-------------------------------|------|-----------|
| 1    | 21-3003  | 6-Row Hanger Plate            | 1    | \$64.00   |
| 2    | 21-2004L | Hanger Arm                    | 1    | \$22.00   |
| 3    | 21-2004R | Hanger Arm                    | 2    | \$22.00   |
| 4    | 21-2014  | Clip                          | 2    | \$3.90    |
| 5    | 21-1002  | Storage Bracket Hanger        | 6    | \$18.00   |
| 6    | 99025    | 1/2-13 Serrated Flanged Nut   | 14   | \$0.24    |
| 7    | 99031    | 5/16-18 x 3/4" Carriage Bolt  | 4    | \$0.19    |
| 8    | 99032    | 5/16-18 Serrated Flanged Nut  | 4    | \$0.11    |
| 9    | 99034    | 1/2-13 x 1-1/4" Carriage Bolt | 6    | \$0.70    |
| 10   | 99037    | 1/2"-13 x 1" Hex Bolt         | 8    | \$0.57    |



**PROPRIETARY AND CONFIDENTIAL**

THE INFORMATION CONTAINED IN THIS DRAWING IS THE SOLE PROPERTY OF NOT DEAD YET MANUFACTURING, INC. ANY REPRODUCTION IN PART OR AS A WHOLE WITHOUT THE WRITTEN PERMISSION OF NOT DEAD YET MANUFACTURING, INC. IS PROHIBITED.

COMMENTS:

**Hanger - \$205.00**

TITLE:  
**6-Row Hanger**



|                  |                                |              |
|------------------|--------------------------------|--------------|
| SIZE<br><b>A</b> | DWG. NO.<br><b>JD40-90-6HG</b> | REV          |
| SCALE: 1:8       | WEIGHT:                        | SHEET 1 OF 1 |