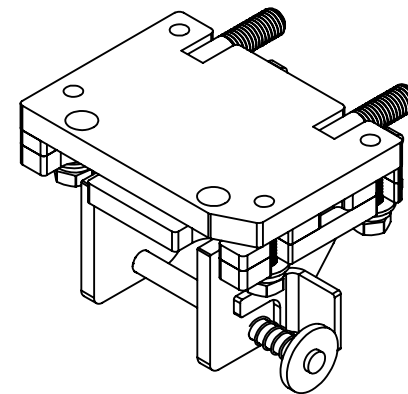
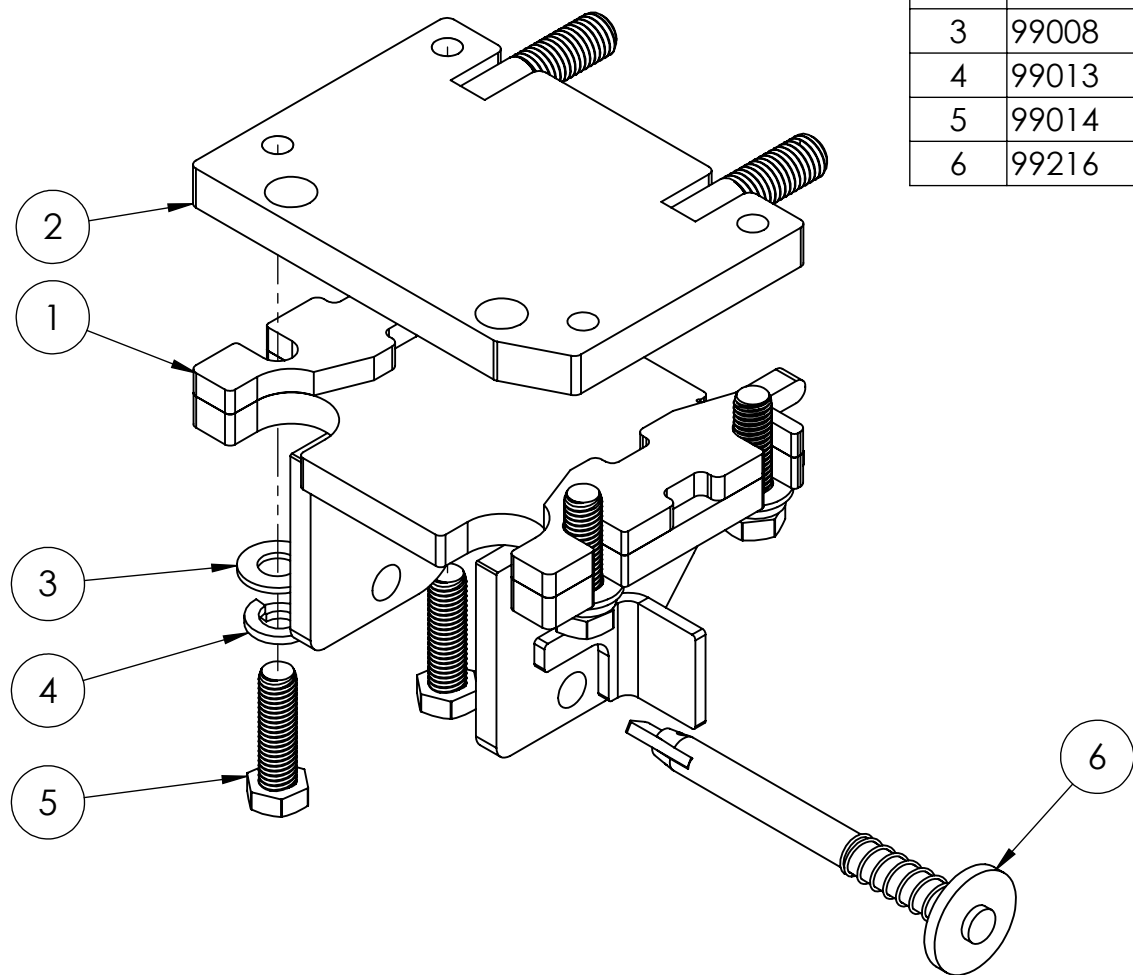


ITEM	PART #	DESCRIPTION	QTY.	Price ea.
1	JD40-90M	40/90 Mount	1	\$85.00
2	20-6003	40/90 Top Plate	1	\$38.00
3	99008	1/2" Washer	4	\$0.07
4	99013	1/2" Lock Washer	4	\$0.10
5	99014	1/2-13 x 1-3/4" Hex Bolt	4	\$0.76
6	99216	Quick-Tach Pin	1	\$7.00



12/19/16

PROPRIETARY AND CONFIDENTIAL

THE INFORMATION CONTAINED IN THIS DRAWING IS THE SOLE PROPERTY OF NOT DEAD YET MANUFACTURING, INC. ANY REPRODUCTION IN PART OR AS A WHOLE WITHOUT THE WRITTEN PERMISSION OF NOT DEAD YET MANUFACTURING, INC. IS PROHIBITED.

COMMENTS:

Complete Mount - \$125.00

TITLE:

John Deere Mount

SIZE	DWG. NO.	REV
A	JD40-90MC-A	

SCALE: 2:5 WEIGHT: SHEET 1 OF 1

