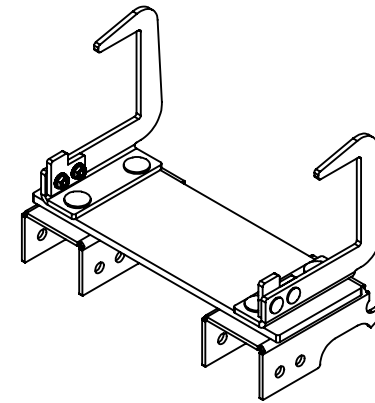


ITEM	PART #	DESCRIPTION	QTY.	Price ea.
1	21-3002	2-Row Hanger	1	\$20.00
2	21-2012L	Hanger Arm	1	\$22.00
3	21-2012R	Hanger Arm	1	\$22.00
4	21-2014	Clip	2	\$3.90
5	21-1002	Storage Bracket Hanger	2	\$18.00
6	99025	1/2-13 Serrated Flanged Nut	4	\$0.24
7	99031	5/16-18 x 3/4" Carriage Bolt	4	\$0.19
8	99032	5/16-18 Serrated Flanged Nut	4	\$0.11
9	99034	1/2-13 x 1-1/4" Carriage Bolt	4	\$0.70



1/17/17

PROPRIETARY AND CONFIDENTIAL

THE INFORMATION CONTAINED IN THIS DRAWING IS THE SOLE PROPERTY OF NOT DEAD YET MANUFACTURING, INC. ANY REPRODUCTION IN PART OR AS A WHOLE WITHOUT THE WRITTEN PERMISSION OF NOT DEAD YET MANUFACTURING, INC. IS PROHIBITED.

COMMENTS:

Hanger - \$100.00

TITLE:

JD 2-Row Hanger

SIZE DWG. NO. REV
A **JD600-2HG**

SCALE: 1:4 WEIGHT: SHEET 1 OF 1

