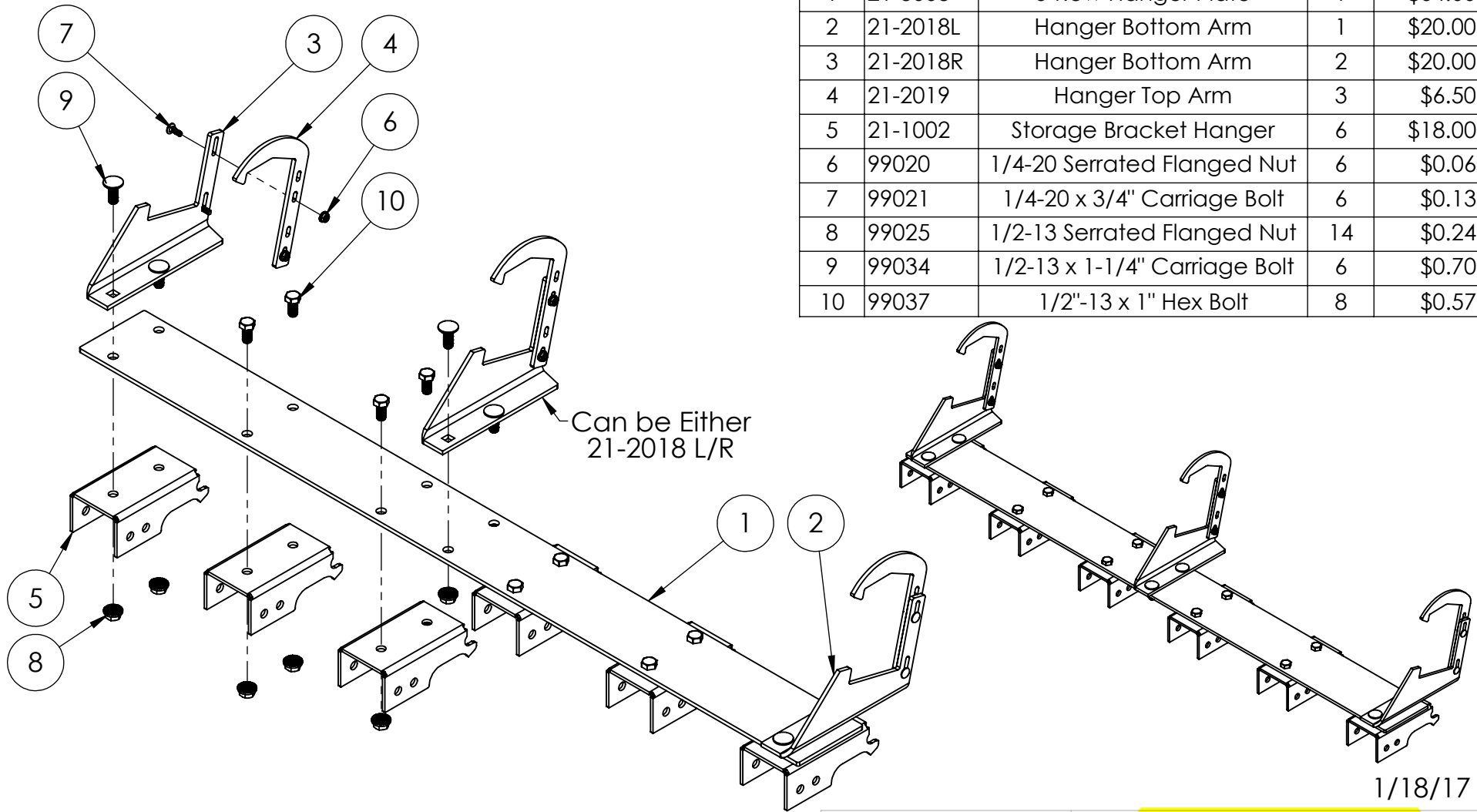


ITEM	PART #	DESCRIPTION	QTY.	Price ea.
1	21-3003	6-Row Hanger Plate	1	\$64.00
2	21-2018L	Hanger Bottom Arm	1	\$20.00
3	21-2018R	Hanger Bottom Arm	2	\$20.00
4	21-2019	Hanger Top Arm	3	\$6.50
5	21-1002	Storage Bracket Hanger	6	\$18.00
6	99020	1/4-20 Serrated Flanged Nut	6	\$0.06
7	99021	1/4-20 x 3/4" Carriage Bolt	6	\$0.13
8	99025	1/2-13 Serrated Flanged Nut	14	\$0.24
9	99034	1/2-13 x 1-1/4" Carriage Bolt	6	\$0.70
10	99037	1/2"-13 x 1" Hex Bolt	8	\$0.57



PROPRIETARY AND CONFIDENTIAL

THE INFORMATION CONTAINED IN THIS DRAWING IS THE SOLE PROPERTY OF NOT DEAD YET MANUFACTURING, INC. ANY REPRODUCTION IN PART OR AS A WHOLE WITHOUT THE WRITTEN PERMISSION OF NOT DEAD YET MANUFACTURING, INC. IS PROHIBITED.

COMMENTS:

Hanger - \$205.00

TITLE:
6-Row Hanger

SIZE: **A** DWG. NO.: **LX4000-6HG** REV:

SCALE: 1:8 WEIGHT: SHEET 1 OF 1

