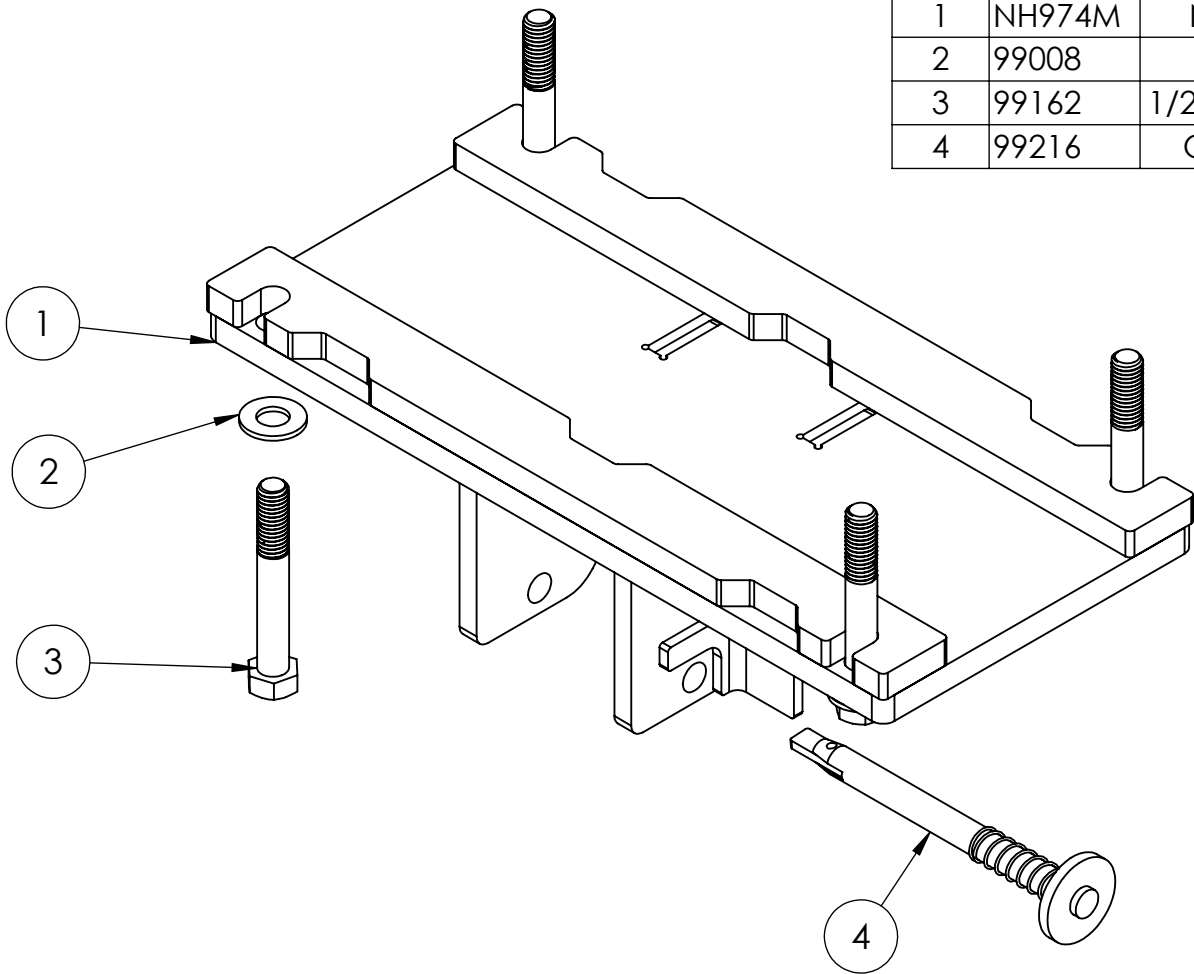


ITEM	PART #	DESCRIPTION	QTY.	Price ea.
1	NH974M	NH 974 Mount	1	\$110.00
2	99008	1/2" Washer	4	\$0.07
3	99162	1/2"-13 x 3-1/2" HCS	4	\$0.88
4	99216	Quick Tach Pin	1	\$7.00



PROPRIETARY AND CONFIDENTIAL		Complete Mount - \$115.00	
<p>THE INFORMATION CONTAINED IN THIS DRAWING IS THE SOLE PROPERTY OF NOT DEAD YET MANUFACTURING, INC. ANY REPRODUCTION IN PART OR AS A WHOLE WITHOUT THE WRITTEN PERMISSION OF NOT DEAD YET MANUFACTURING, INC. IS PROHIBITED.</p>		TITLE:	
COMMENTS:		NH 974 Mount	
SIZE	DWG. NO.	REV	
A	NH974M-A		
SCALE: 1:3	WEIGHT:	SHEET 1 OF 1	

