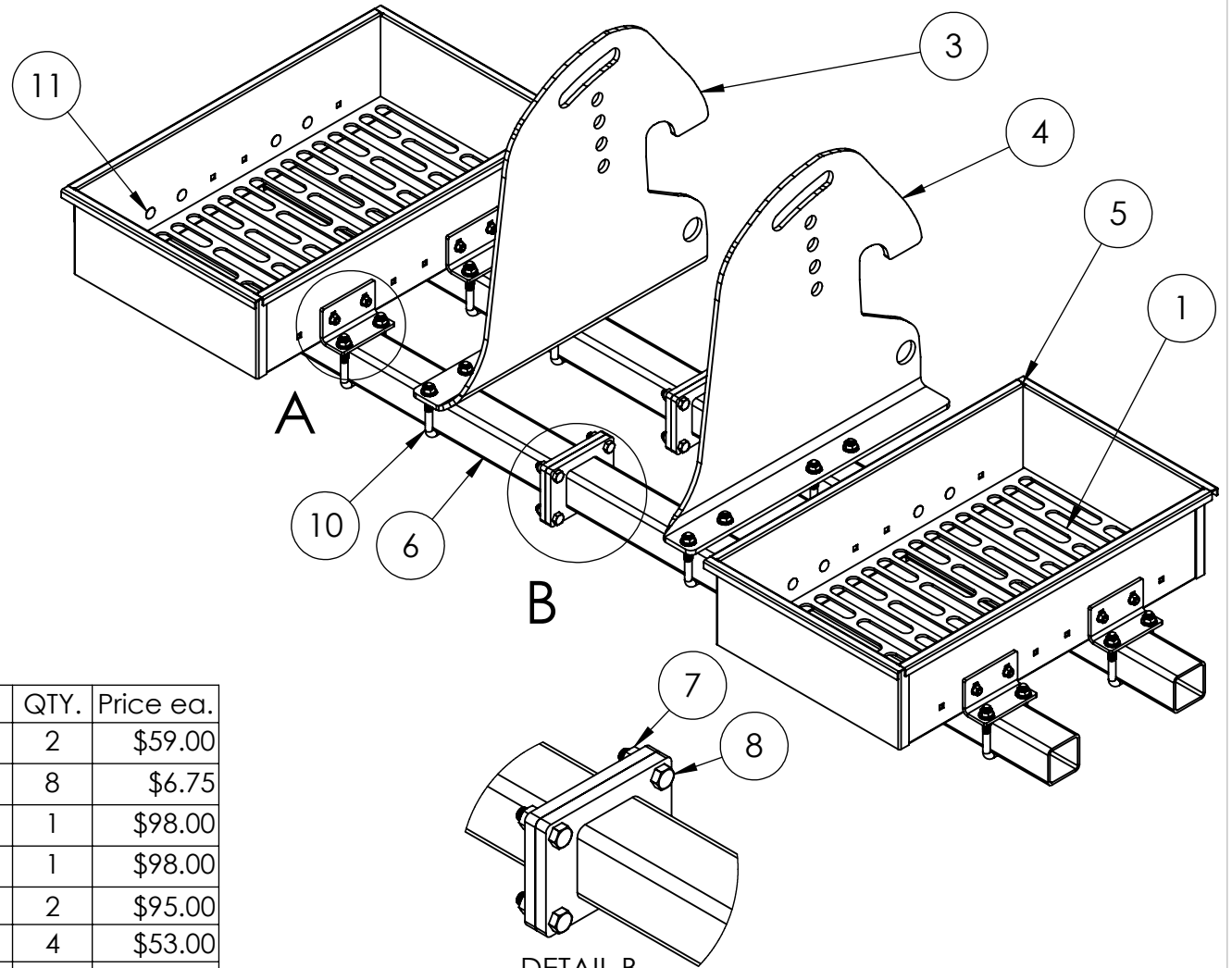


DETAIL A  
SCALE 1 : 4



DETAIL B  
SCALE 1 : 6

ITEM	PART #	DESCRIPTION	QTY.	Price ea.
1	29-1009	Box Tray	2	\$59.00
2	29-2000	Mounting Bracket	8	\$6.75
3	29-3010(L)	Challenge Weight Plate	1	\$98.00
4	29-3010(R)	Challenger Weight Plate	1	\$98.00
5	29-9002	Standard Box	2	\$95.00
6	29-9003	Main Tube	4	\$53.00
7	99004	1/2-13 Two Way Locknut	8	\$0.33
8	99014	1/2-13 x 1-3/4" Hex Bolt	8	\$0.76
9	99025	1/2-13 Serrated Flanged Nut	24	\$0.24
10	99102	3" x 4-1/4" Square U-bolt	12	\$4.45
11	99131	3/8"-16 x 3/4" Carriage Bolt	16	\$0.38
12	99132	3/8"-16 Flange Nut	16	\$0.20

1/17/17

PROPRIETARY AND CONFIDENTIAL

THE INFORMATION CONTAINED IN THIS DRAWING IS THE SOLE PROPERTY OF NOT DEAD YET MANUFACTURING, INC. ANY REPRODUCTION IN PART OR AS A WHOLE WITHOUT THE WRITTEN PERMISSION OF NOT DEAD YET MANUFACTURING, INC. IS PROHIBITED.

COMMENTS:

**Complete Rock Box - \$660.00**

TITLE:

**Challenger  
Rock Box**

SIZE DWG. NO. REV  
**A RBCH-3300**

SCALE: 1:12 WEIGHT:305 lbs SHEET 1 OF 1

