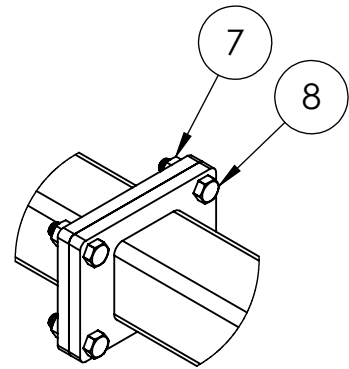
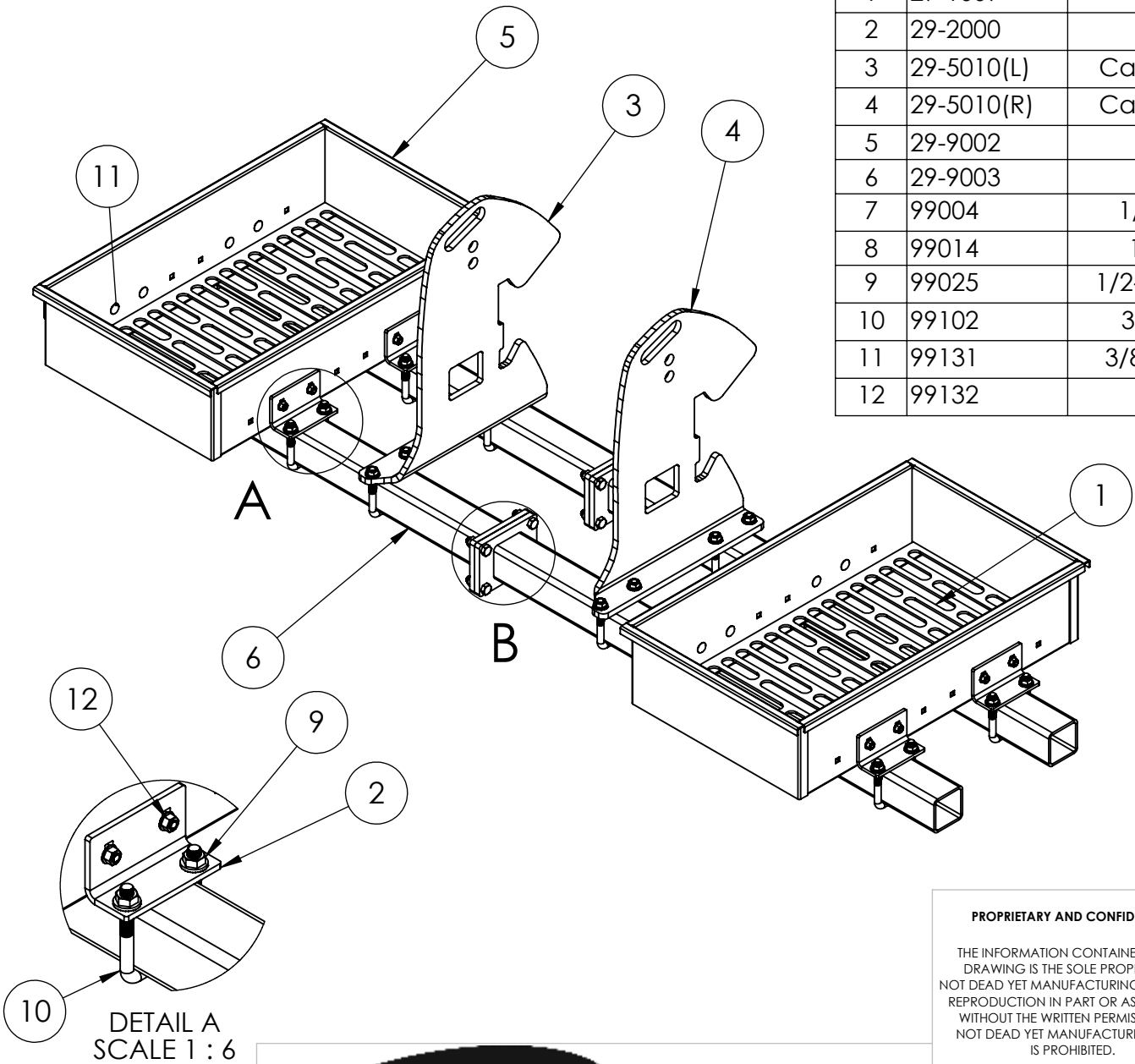


ITEM	PART #	DESCRIPTION	QTY.	Price ea.
1	29-1009	Box Tray	2	\$59.00
2	29-2000	Mounting Bracket	8	\$6.75
3	29-5010(L)	Case Suitcase Weight Plate	1	\$98.00
4	29-5010(R)	Case Suitcase Weight Plate	1	\$98.00
5	29-9002	Standard Box	2	\$95.00
6	29-9003	Main Tube	4	\$53.00
7	99004	1/2-13 Two Way Locknut	8	\$0.33
8	99014	1/2-13 x 1-3/4" Hex Bolt	8	\$0.76
9	99025	1/2-13 Serrated Flanged Nut	24	\$0.24
10	99102	3" x 4-1/4" Square U-bolt	12	\$4.45
11	99131	3/8"-16 x 3/4" Carriage Bolt	16	\$0.38
12	99132	3/8"-16 Flange Nut	16	\$0.20



DETAIL B
SCALE 1 : 6

1/17/17

Complete Rock Box - \$660.00

PROPRIETARY AND CONFIDENTIAL

THE INFORMATION CONTAINED IN THIS DRAWING IS THE SOLE PROPERTY OF NOT DEAD YET MANUFACTURING, INC. ANY REPRODUCTION IN PART OR AS A WHOLE WITHOUT THE WRITTEN PERMISSION OF NOT DEAD YET MANUFACTURING, INC. IS PROHIBITED.

TITLE:
**Case Magnum
Rock Box**

COMMENTS:

SIZE **A** DWG. NO. **RBCA-3100** REV

SCALE: 1:12 | WEIGHT: 280 lbs | SHEET 1 OF 1

