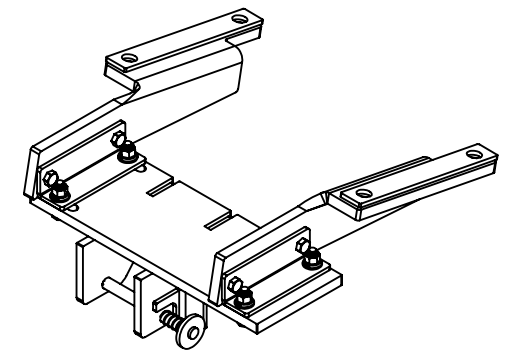
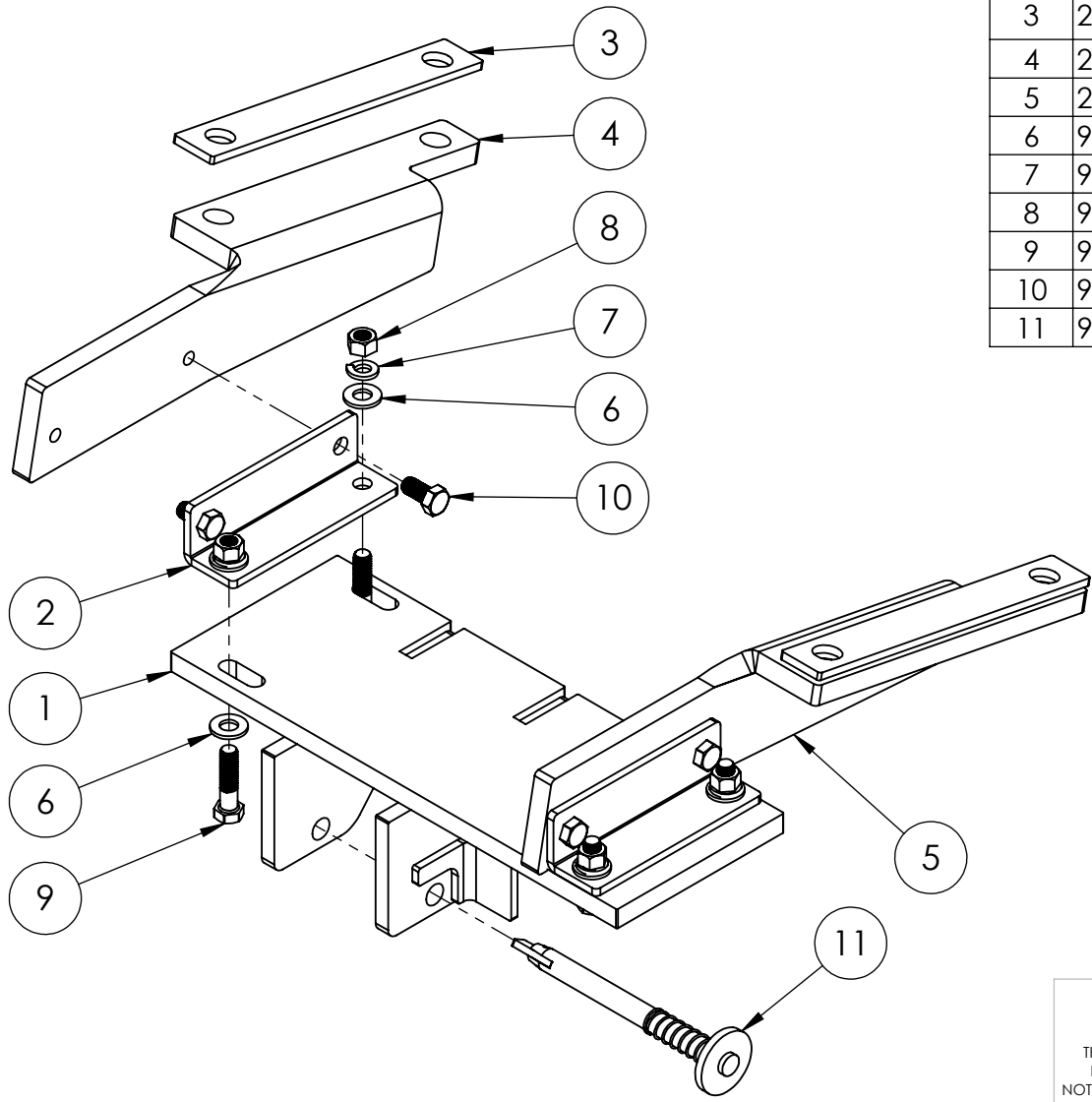


ITEM	PART #	DESCRIPTION	QTY.	Price ea.
1	HAR-5100-L	Harvestec Mount Bracket Left	1	\$80.00
2	20-1044	Mount Angle	2	\$12.00
3	20-2022	Spacer	2	\$8.00
4	20-5058L	Side Bracket	1	\$30.00
5	20-5058R	Side Bracket	1	\$30.00
6	99054	3/8" SAE Flat Washer	8	\$0.20
7	99060	3/8" Lock Washer	4	\$0.07
8	99106	3/8 Center Lock Nut	4	\$0.10
9	99107	3/8-16 x 1-1/2 Hex Bolt	4	\$0.58
10	99108	3/8-16 x 3/4 Hex Bolt	4	\$0.27
11	99216	Quick-Tach Pin	1	\$7.00



PROPRIETARY AND CONFIDENTIAL

THE INFORMATION CONTAINED IN THIS DRAWING IS THE SOLE PROPERTY OF NOT DEAD YET MANUFACTURING, INC. ANY REPRODUCTION IN PART OR AS A WHOLE WITHOUT THE WRITTEN PERMISSION OF NOT DEAD YET MANUFACTURING, INC. IS PROHIBITED.

COMMENTS:

TE - 5/17

Complete Mount - \$150.00

TITLE:
Harvestec Mount

SIZE A	DWG. NO. 4308-1	REV
SCALE: 1:4	WEIGHT:	SHEET 1 OF 1