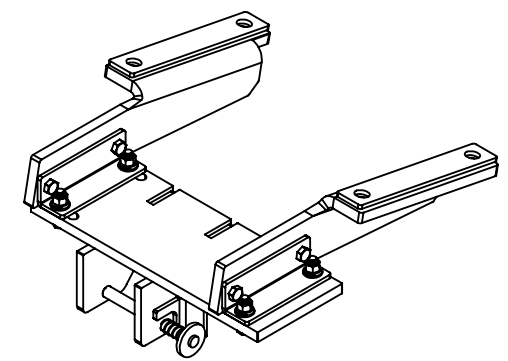
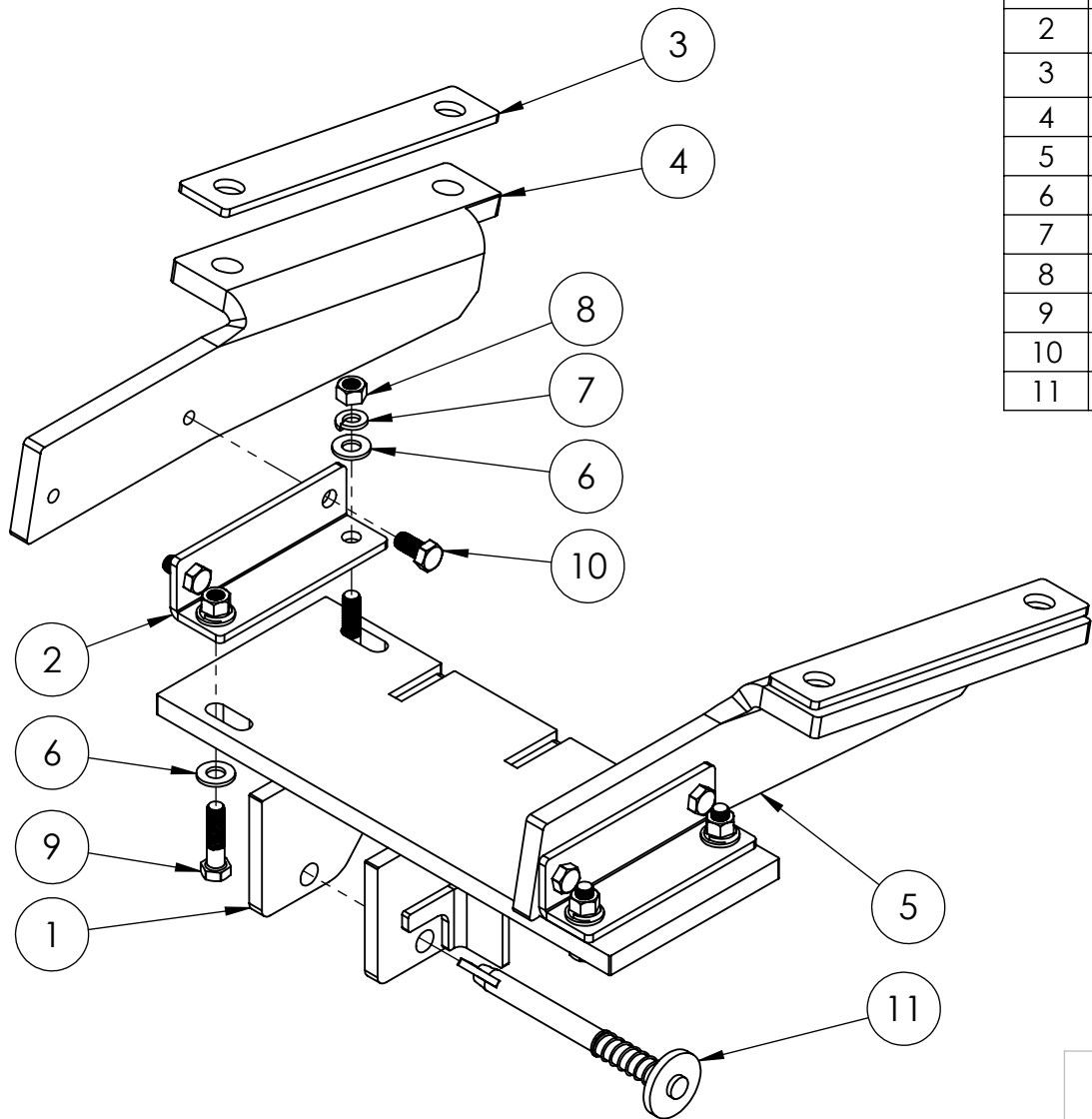


| ITEM | PART #     | DESCRIPTION                  | QTY. | Price ea. |
|------|------------|------------------------------|------|-----------|
| 1    | HAR-5100-L | Harvestec Mount Bracket Left | 1    | \$80.00   |
| 2    | 20-1044    | Mount Angle                  | 2    | \$12.00   |
| 3    | 20-2023    | Spacer                       | 2    | \$8.00    |
| 4    | 20-5059L   | Side Bracket                 | 1    | \$30.00   |
| 5    | 20-5059R   | Side Bracket                 | 1    | \$30.00   |
| 6    | 99054      | 3/8" SAE Flat Washer         | 8    | \$0.20    |
| 7    | 99060      | 3/8" Lock Washer             | 4    | \$0.07    |
| 8    | 99106      | 3/8 Center Lock Nut          | 4    | \$0.10    |
| 9    | 99107      | 3/8-16 x 1-1/2 Hex Bolt      | 4    | \$0.58    |
| 10   | 99108      | 3/8-16 x 3/4 Hex Bolt        | 4    | \$0.27    |
| 11   | 99216      | Quick-Tach Pin               | 1    | \$7.00    |



**PROPRIETARY AND CONFIDENTIAL**

THE INFORMATION CONTAINED IN THIS DRAWING IS THE SOLE PROPERTY OF NOT DEAD YET MANUFACTURING, INC. ANY REPRODUCTION IN PART OR AS A WHOLE WITHOUT THE WRITTEN PERMISSION OF NOT DEAD YET MANUFACTURING, INC. IS PROHIBITED.

COMMENTS:

TE - 5/17

**Complete Mount - \$150.00**

TITLE:  
**Harvestec Mount**

SIZE DWG. NO. REV  
**A 5308-1**

SCALE: 1:4 WEIGHT: SHEET 1 OF 1