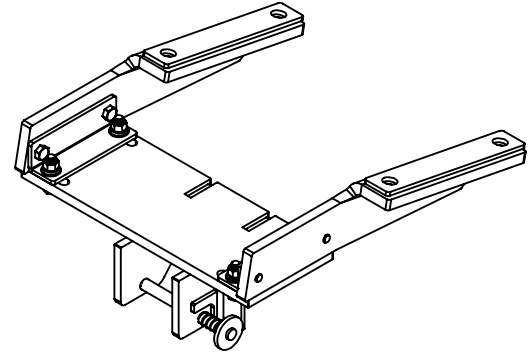
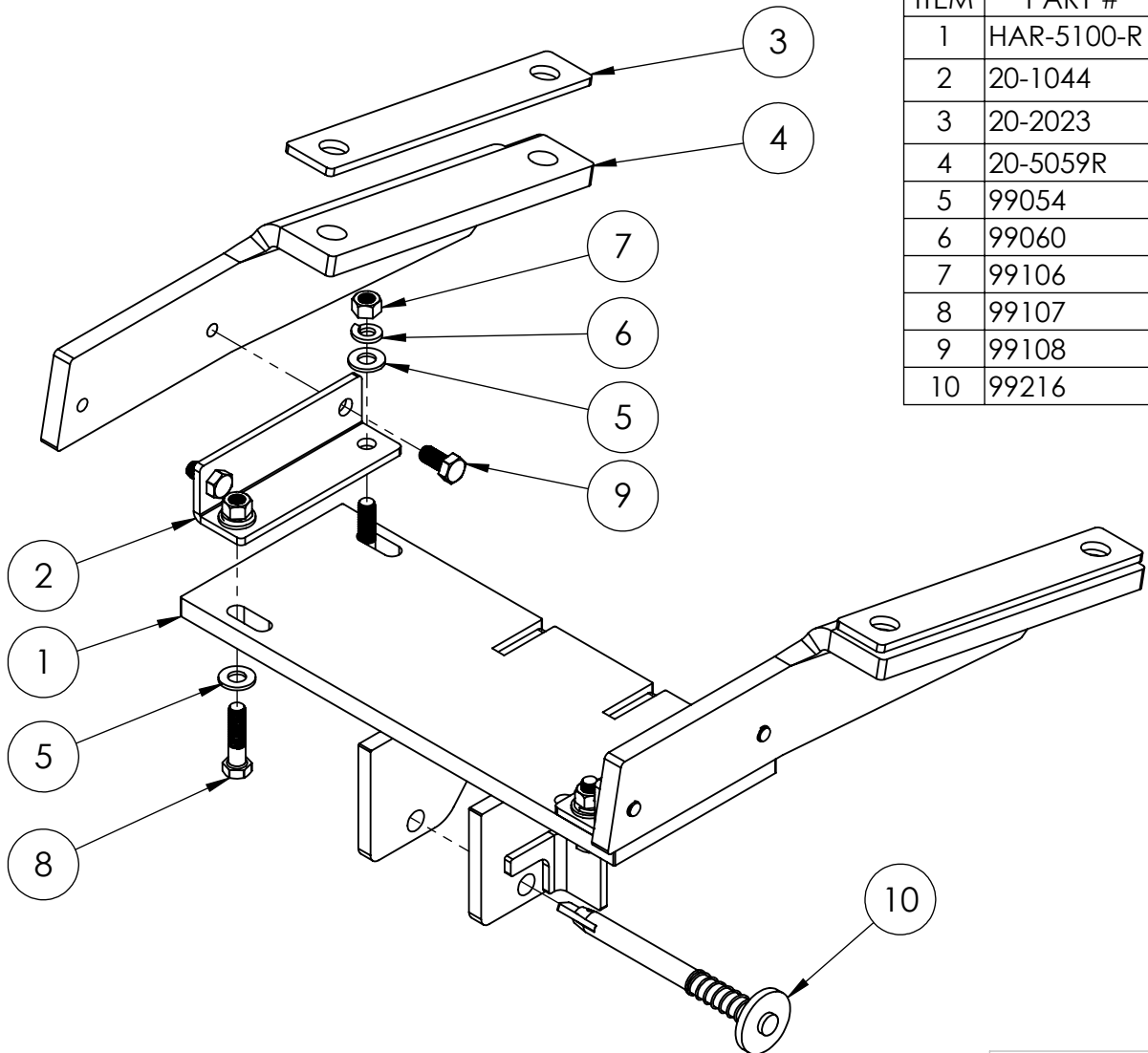


ITEM	PART #	DESCRIPTION	QTY.	Price ea.
1	HAR-5100-R	Harvestec Mount Bracket Right	1	\$80.00
2	20-1044	Mount Angle	2	\$12.00
3	20-2023	Spacer	2	\$8.00
4	20-5059R	Side Bracket	2	\$30.00
5	99054	3/8" SAE Flat Washer	8	\$0.20
6	99060	3/8" Lock Washer	4	\$0.07
7	99106	3/8 Center Lock Nut	4	\$0.10
8	99107	3/8-16 x 1-1/2 Hex Bolt	4	\$0.58
9	99108	3/8-16 x 3/4 Hex Bolt	4	\$0.27
10	99216	Quick-Tach Pin	1	\$7.00



<p>PROPRIETARY AND CONFIDENTIAL</p> <p>THE INFORMATION CONTAINED IN THIS DRAWING IS THE SOLE PROPERTY OF NOT DEAD YET MANUFACTURING, INC. ANY REPRODUCTION IN PART OR AS A WHOLE WITHOUT THE WRITTEN PERMISSION OF NOT DEAD YET MANUFACTURING, INC. IS PROHIBITED.</p>		<p>Complete Mount - \$150.00</p>	
<p>TITLE:</p> <p>Harvestec Mount</p>		<p>SCALE: 1:4</p>	
<p>COMMENTS:</p>		<p>SIZE A</p>	<p>DWG. NO. 5308-8</p>
<p>TE - 5/17</p>		<p>WEIGHT:</p>	<p>REV</p> <p>SHEET 1 OF 1</p>

