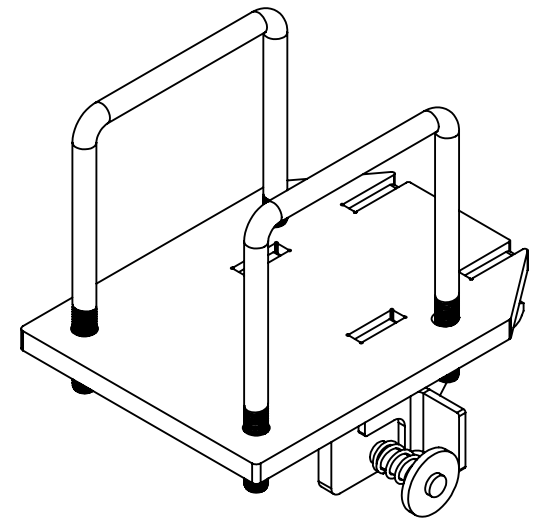
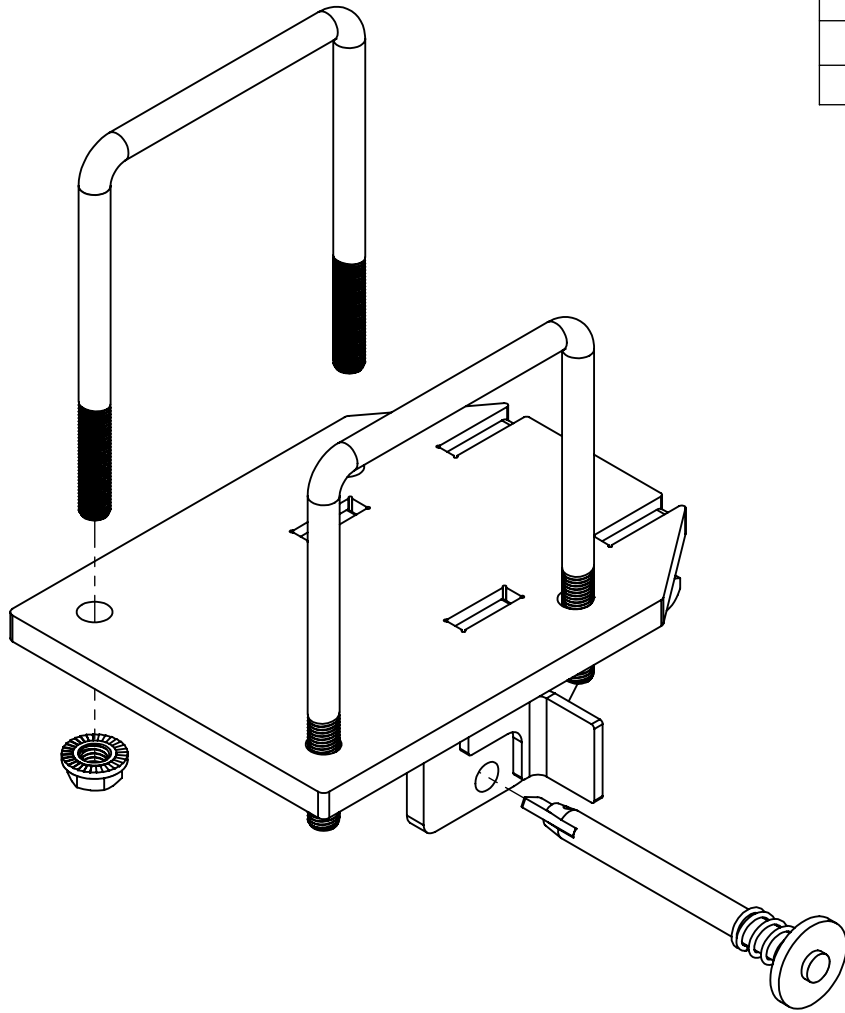


ITEM	PART #	DESCRIPTION	QTY.	Price ea.
1	GL-M	Gleaner/Massey/Challenger 3000 Mount	1	\$80.00
2	99025	1/2-13 Serrated Flanged Nut	4	\$0.24
3	99100	1/2"-13 x 5.625" x 6.75" Square U-bolt	2	\$6.85
4	99216	Quick Tach Pin	1	\$7.00



PROPRIETARY AND CONFIDENTIAL

THE INFORMATION CONTAINED IN THIS DRAWING IS THE SOLE PROPERTY OF NOT DEAD YET MANUFACTURING, INC. ANY REPRODUCTION IN PART OR AS A WHOLE WITHOUT THE WRITTEN PERMISSION OF NOT DEAD YET MANUFACTURING, INC. IS PROHIBITED.

COMMENTS:

Complete Mount - \$90.00

TITLE: Mount for:
Gleaner Hugger/3000
Massey Ferguson 3000
Challenger 3000

SIZE A	DWG. NO. GLM-A	REV
------------------	--------------------------	-----

SCALE: 1:3	WEIGHT:	SHEET 1 OF 1
------------	---------	--------------

