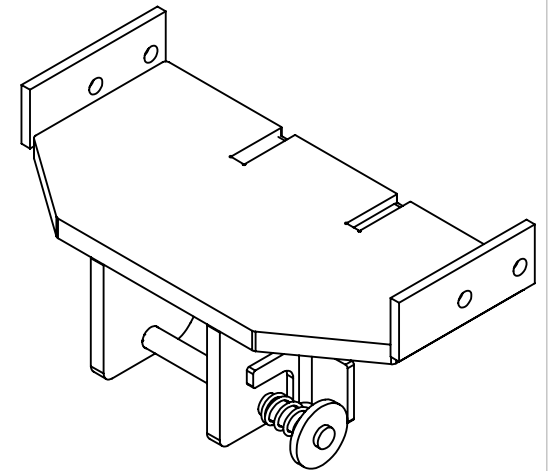
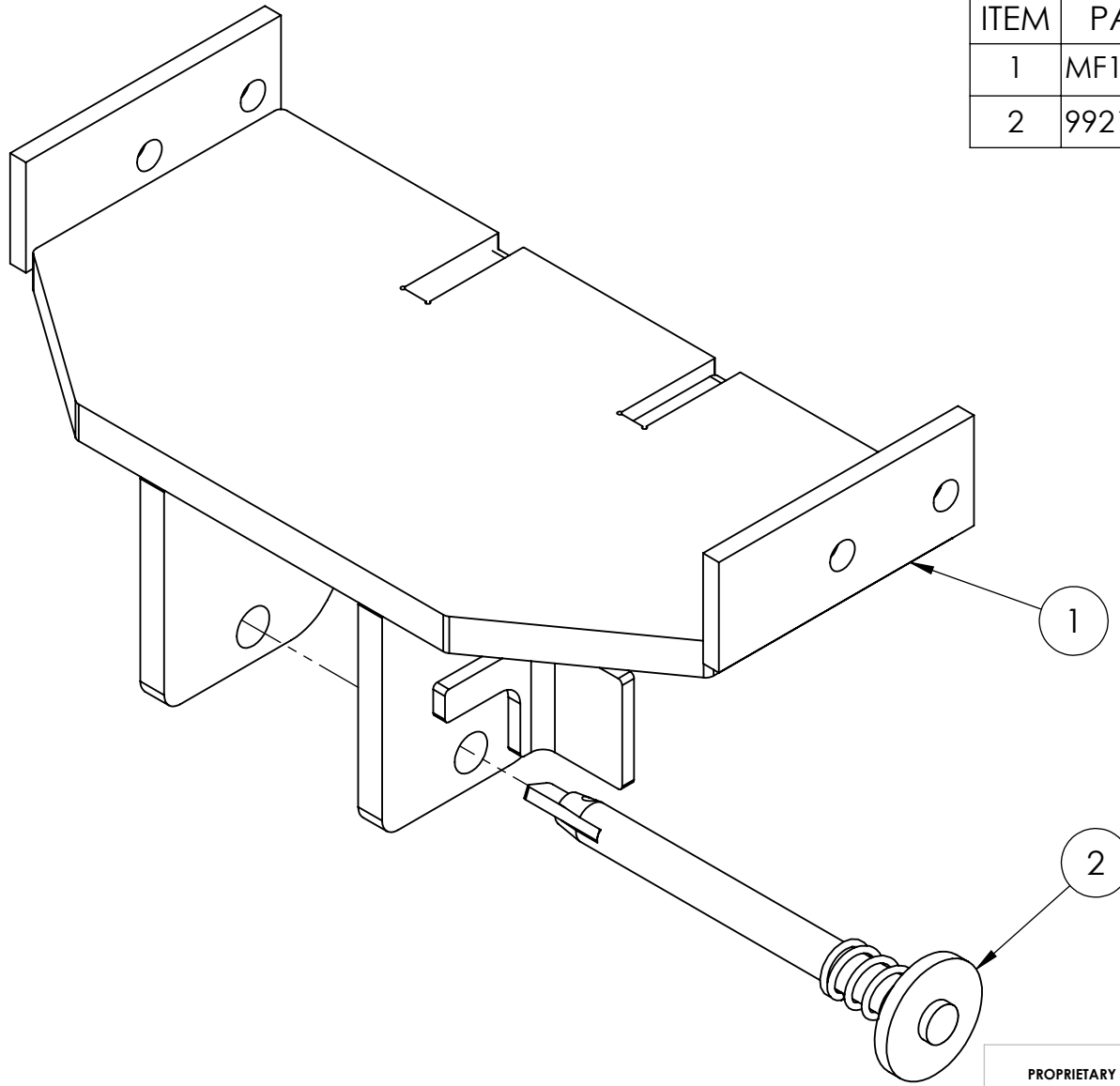


ITEM	PART #	DESCRIPTION	QTY.	Price ea.
1	MF1100-M	Massey 1100 Mount	1	\$120.00
2	99216	Quick Tach Pin	1	\$7.00



PROPRIETARY AND CONFIDENTIAL

THE INFORMATION CONTAINED IN THIS DRAWING IS THE SOLE PROPERTY OF NOT DEAD YET MANUFACTURING, INC. ANY REPRODUCTION IN PART OR AS A WHOLE WITHOUT THE WRITTEN PERMISSION OF NOT DEAD YET MANUFACTURING, INC. IS PROHIBITED.

COMMENTS:

TE 5/17

Complete Mount \$125.00

TITLE:
**Massey Ferguson
1100 Mount**

SIZE	DWG. NO.	REV
A	MF1100M-A	

SCALE: 1:2	WEIGHT:	SHEET 1 OF 1
------------	---------	--------------

