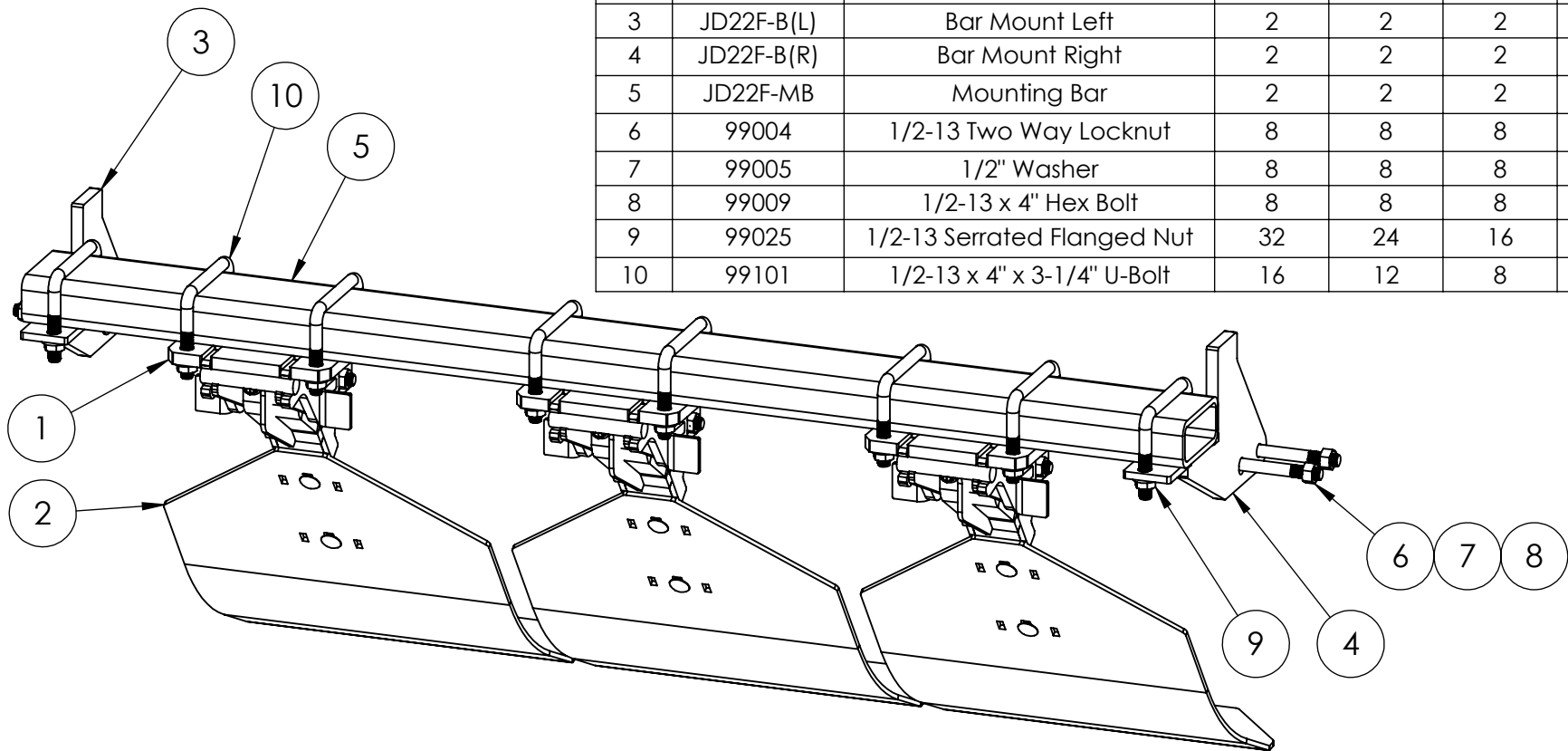


*One side of JD640F-6SS is shown

ITEM	PART #	DESCRIPTION	QTY/6SS	QTY/4SS	QTY/2SS	Price ea.
1	JD640MA	Bar Mount	6	4	2	\$95.00
2	20AS-AR555	14" AR Short Shoe	6	4	2	\$263.00
3	JD22F-B(L)	Bar Mount Left	2	2	2	\$25.00
4	JD22F-B(R)	Bar Mount Right	2	2	2	\$25.00
5	JD22F-MB	Mounting Bar	2	2	2	\$65.00
6	99004	1/2-13 Two Way Locknut	8	8	8	\$0.33
7	99005	1/2" Washer	8	8	8	\$0.15
8	99009	1/2-13 x 4" Hex Bolt	8	8	8	\$1.08
9	99025	1/2-13 Serrated Flanged Nut	32	24	16	\$0.24
10	99101	1/2-13 x 4" x 3-1/4" U-Bolt	16	12	8	\$3.75



Part #	Description	Price
JD635F-2SS	One Set of 2 Stubble Stompers - 14" center short shoes for JD Drapper Head	\$844.00
JD635F-4SS	One Set of 4 Stubble Stompers - 14" center short shoes for JD Drapper Head	\$1419.50
JD635F-6SS	One Set of 6 Stubble Stompers - 14" center short shoes for JD Drapper Head	\$1995.00

PROPRIETARY AND CONFIDENTIAL

THE INFORMATION CONTAINED IN THIS DRAWING IS THE SOLE PROPERTY OF NOT DEAD YET MANUFACTURING, INC. ANY REPRODUCTION IN PART OR AS A WHOLE WITHOUT THE WRITTEN PERMISSION OF NOT DEAD YET MANUFACTURING, INC. IS PROHIBITED.

COMMENTS:

TITLE: Stomper Kit for
John Deere
620F, 625F, 630F
635F, 640F

SIZE A	DWG. NO. JD6F	REV
------------------	-------------------------	-----

SCALE: 1:7	WEIGHT:	SHEET 1 OF 1
------------	---------	--------------

