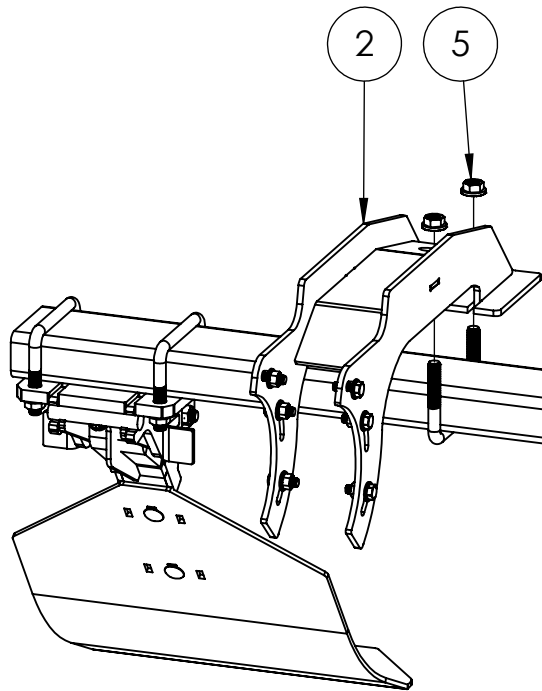
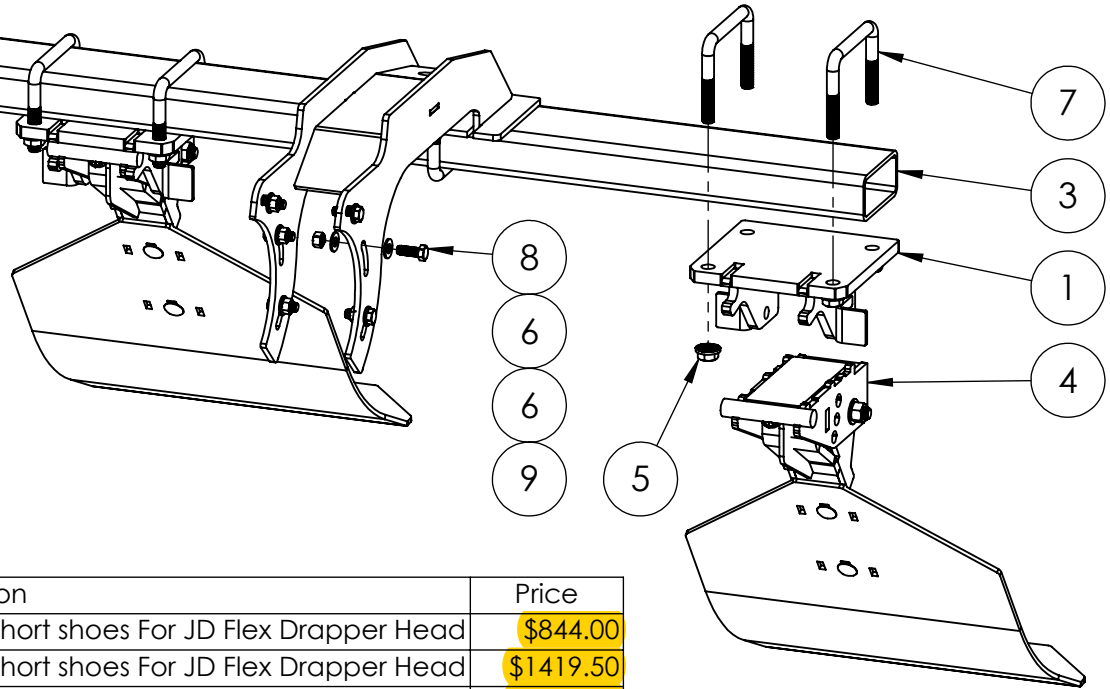


\*One side of JD640FD-6SS is shown



ITEM	PART #	DESCRIPTION	QTY/-2SS	QTY/-4SS	QTY/-6SS	Price ea.
1	JD640MA	Bar Mount	2	4	6	\$95.00
2	JD640MB	Bar Bracket	2	2	2	\$105.00
3	JD640FDBP Bar	Mounting Bar	2	2	2	\$75.00
4	20AS-AR555	14" AR Short Shoe	2	4	6	\$263.00
5	99025	1/2-13 Serrated Flanged Nut	16	24	32	\$0.24
6	99054	3/8" SAE Flat Washer	42	42	42	\$0.20
7	99101	1/2-13 x 4" x 3-1/4" U-Bolt	8	12	16	\$3.75
8	99126	3/8-16 x 1 Hex Bolt	12	12	12	\$0.28
9	99127	3/8-11 Lock Nut	12	12	12	\$0.14



Part #	Description	Price
JD640FD-2SS	One Set of 2 stubble stompers - 14" center short shoes For JD Flex Drapper Head	\$844.00
JD640FD-4SS	One Set of 4 stubble stompers - 14" center short shoes For JD Flex Drapper Head	\$1419.50
JD640FD-6SS	One Set of 6 stubble stompers - 14" center short shoes For JD Flex Drapper Head	\$1995.00

**PROPRIETARY AND CONFIDENTIAL**

THE INFORMATION CONTAINED IN THIS DRAWING IS THE SOLE PROPERTY OF NOT DEAD YET MANUFACTURING, INC. ANY REPRODUCTION IN PART OR AS A WHOLE WITHOUT THE WRITTEN PERMISSION OF NOT DEAD YET MANUFACTURING, INC. IS PROHIBITED.

COMMENTS:

TITLE: **Stomper Kit for John Deere 640FD & 645FD**



SIZE **A** DWG. NO. **JD6FD** REV

SCALE: 1:8 WEIGHT: SHEET 1 OF 1