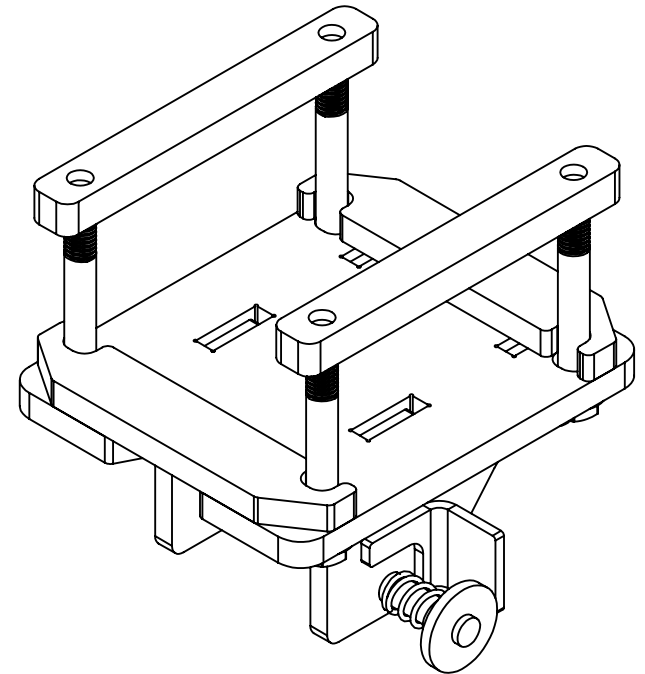
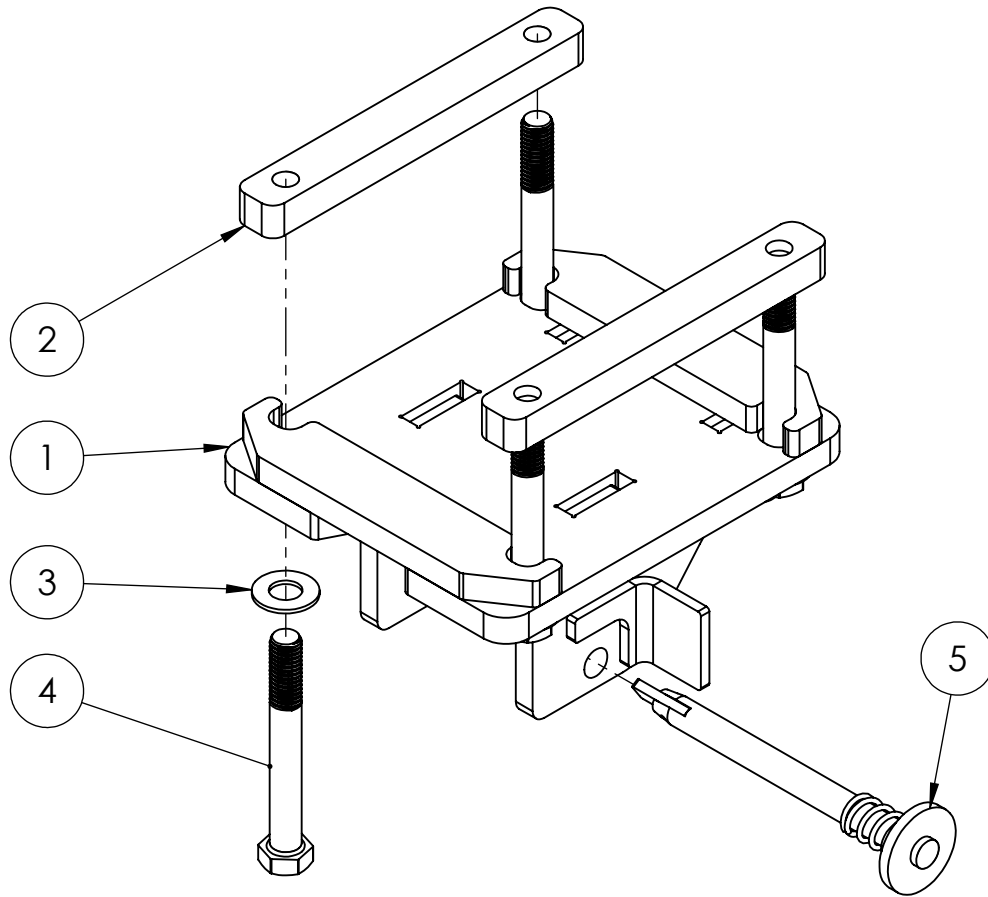


ITEM	PART #	DESCRIPTION	QTY.	Price ea.
1	GL3300-M	AGCO 3300 Mount	1	\$110.00
2	20-6100	Strap	2	\$10.00
3	99005	1/2" Washer	4	\$0.15
4	99009	1/2-13 x 4" Hex Bolt	4	\$1.08
5	99216	Quick Tach Pin	1	\$7.00



PROPRIETARY AND CONFIDENTIAL

THE INFORMATION CONTAINED IN THIS DRAWING IS THE SOLE PROPERTY OF NOT DEAD YET MANUFACTURING, INC. ANY REPRODUCTION IN PART OR AS A WHOLE WITHOUT THE WRITTEN PERMISSION OF NOT DEAD YET MANUFACTURING, INC. IS PROHIBITED.

COMMENTS:
Non-Chopping Heads

Complete Mount - \$125.00

TITLE: Mount For:
Gleaner 3300
Massey 3300
Challenger 3300

SIZE DWG. NO. REV
A **GL3300-MA**

SCALE: 1:3 WEIGHT: SHEET 1 OF 1

