

4590 N 11000W Rd
Bonfield, IL 60913
(815) 426-2330



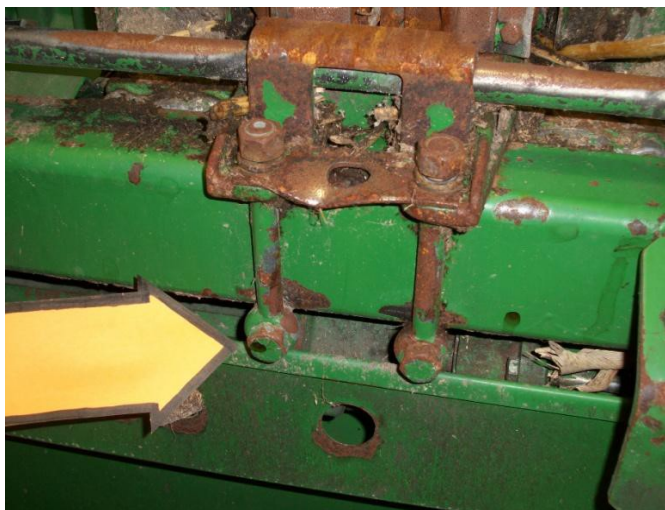
John Deere 40/90 Corn Heads

All years



Installation Instructions:

1. Remove nuts and guard



2. Remove bolts and eyebolts

3. Insert Plate A and reinstall bolts



4. Reinstall guard, lock washer and nut to the studs on Plate A



5. Attach the mount to Plate A using the provided 1 3/4" bolt with lock washers and tighten



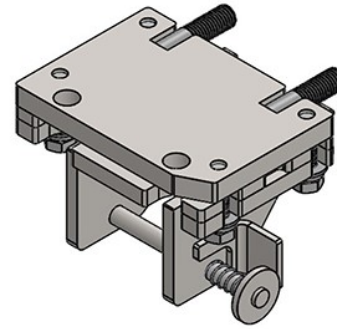
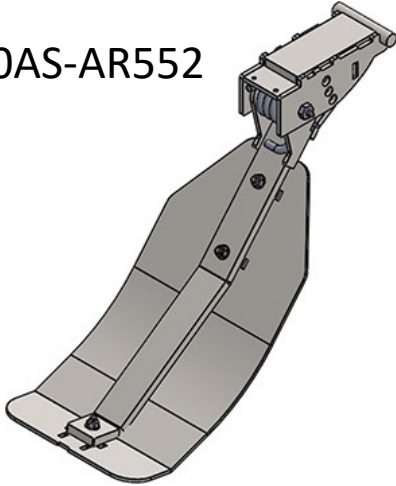
6. Install shoe assembly

John Deere 40/90 Series

Part# JD443/93-SB— 4 row head

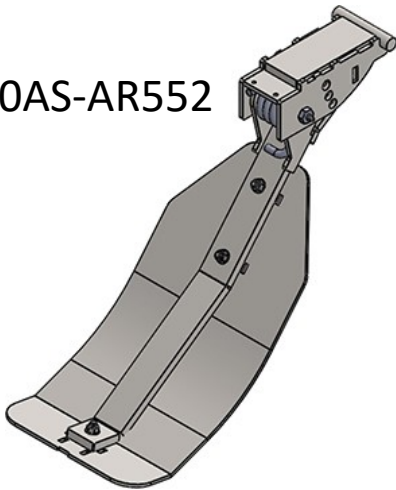
Part# JD643/93-SB— 6 row head

20AS-AR552

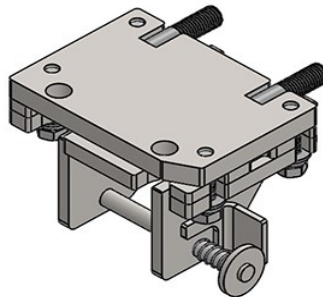


JD40/90MC-A

20AS-AR552



JD40/90MC-A

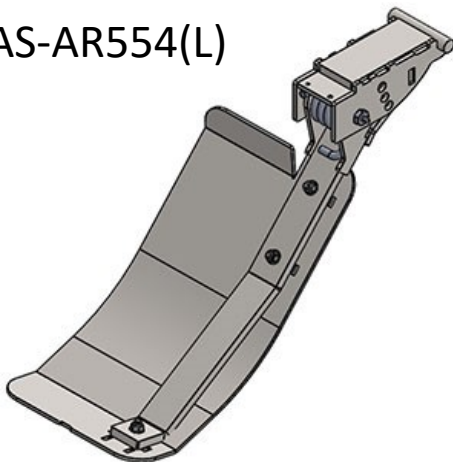


John Deere 843/93 Series

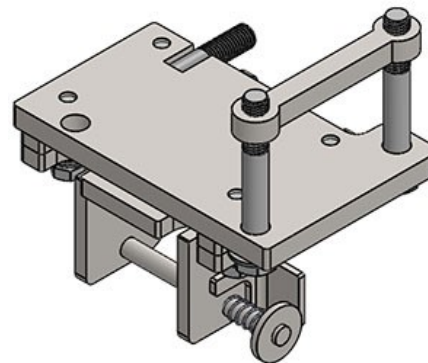
Part# JD843/93-SB

ROW 6

20AS-AR554(L)



JD40/90MB(L) - A

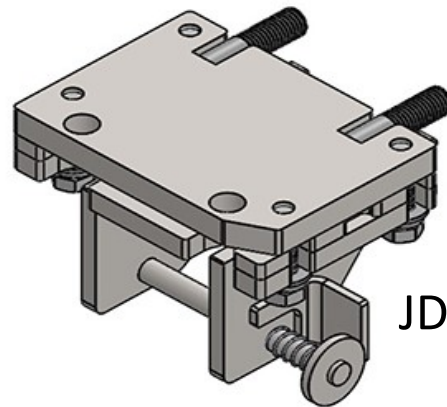
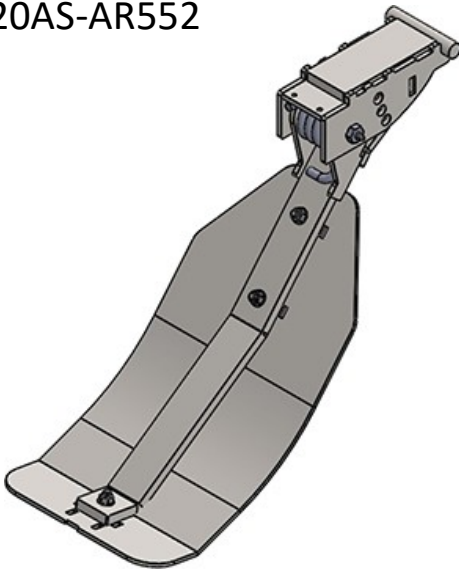


John Deere 1243/1293 Corn Head

Part# JD1243/93-SB

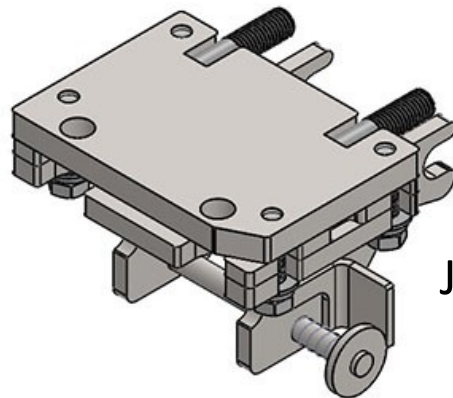
Rows 1, 2, 4-91, 11, 12

20AS-AR552



JD40/90MC-A

Rows 3 & 10



JD40/90MF-A