

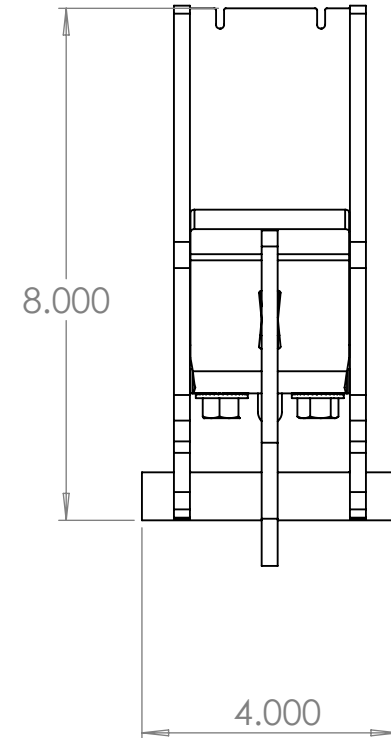
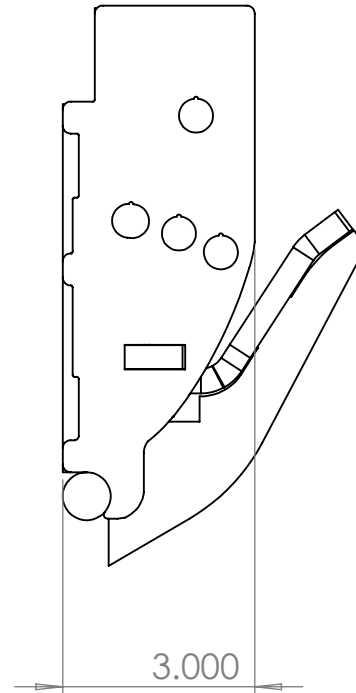
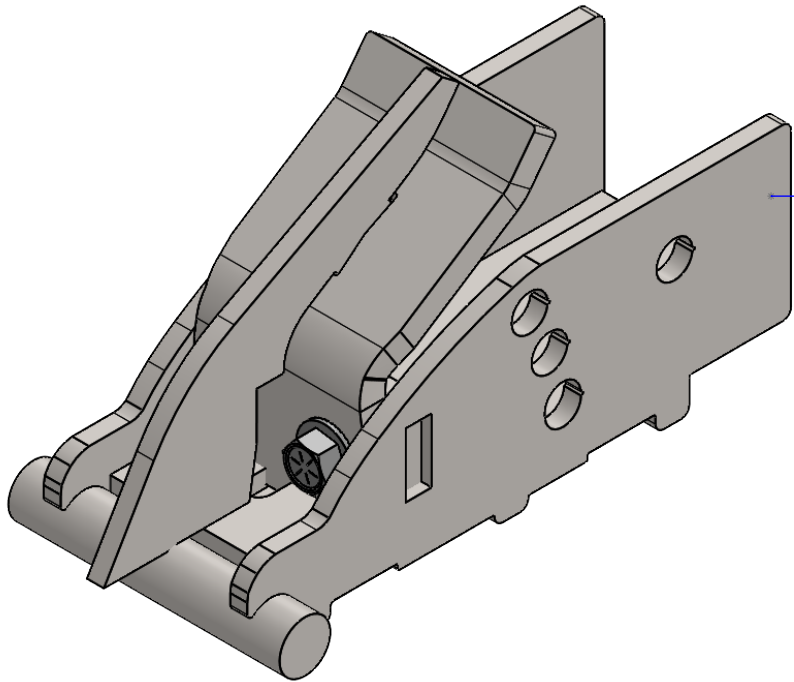
2

1

ITEM	PART #	DESCRIPTION	QTY.
1	20A-413A	3 Position SB Top Arm	1
2	20A-413C	3 Position SB Stop	1
3	99146	3/8"-16 x 1" Serrated Hex Flange Bolt	2

B

B



A

A

TITLE:
**3 Position Set
 Back Arm**

MATERIAL

COMMENTS:

SIZE DWG. NO.
A 20A-413

FINISH

SCALE: 1:2 WEIGHT:

SHEET 1 OF 1

DO NOT SCALE DRAWING

PROPRIETARY AND CONFIDENTIAL
 THE INFORMATION CONTAINED IN THIS DRAWING IS THE SOLE
 PROPERTY OF NDY MANUFACTURING. ANY REPRODUCTION IN
 PART OR AS A WHOLE WITHOUT THE WRITTEN PERMISSION OF NDY
 MANUFACTURING IS PROHIBITED.



2

1