

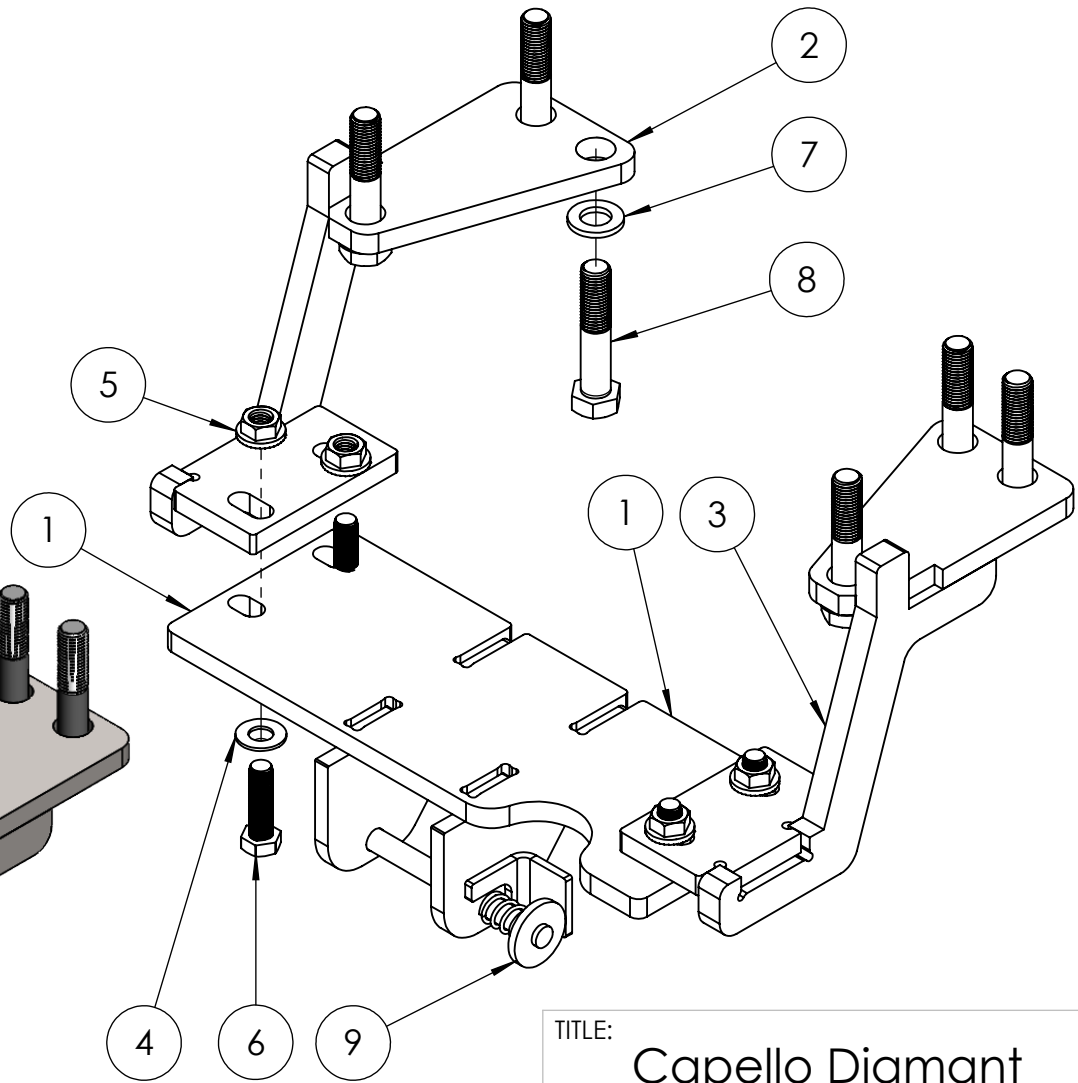
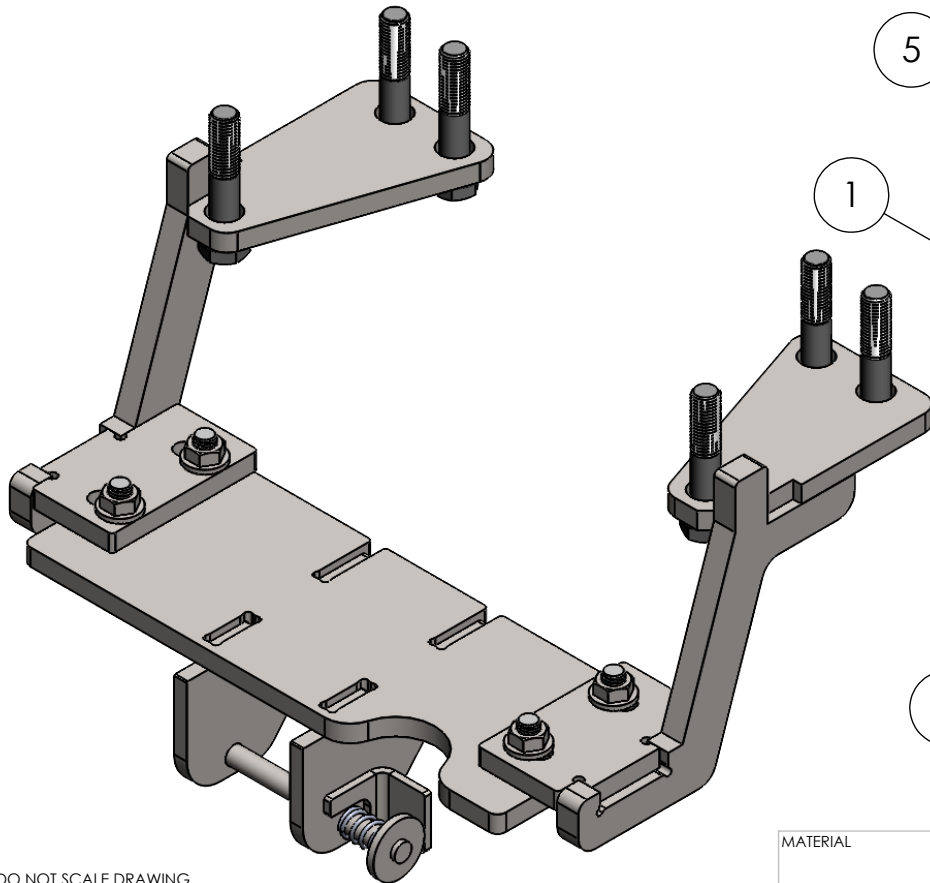
2

1

ITEM	PART #	DESCRIPTION	QTY.
1	CAPD-M	Capello Diamant Mount Base	1
2	CAPD-ML	Capello Diamant Mount Arm Left	1
3	CAPD-MR	Capello Diamant Mount Arm Right	1
4	99005	1/2" Washer	4
5	99025	1/2-13 Serrated Flanged Nut	4
6	99014	1/2-13 x 1-3/4" Hex Bolt	4
7	99167	M16 Flat Washer	6
8	99175	M16 x 2.0 x 80mm HCS	6
9	99216	Quick Tach Pin	1

B

B



A

A

DO NOT SCALE DRAWING

MATERIAL	COMMENTS:
FINISH	

TITLE:
Capello Diamant Mount Assembly

SIZE DWG. NO.
A CAPD-MA

SCALE: 1:4 WEIGHT: SHEET 1 OF 2

PROPRIETARY AND CONFIDENTIAL
 THE INFORMATION CONTAINED IN THIS DRAWING IS THE SOLE PROPERTY OF NDY MANUFACTURING. ANY REPRODUCTION IN PART OR AS A WHOLE WITHOUT THE WRITTEN PERMISSION OF NDY MANUFACTURING IS PROHIBITED.



2

1