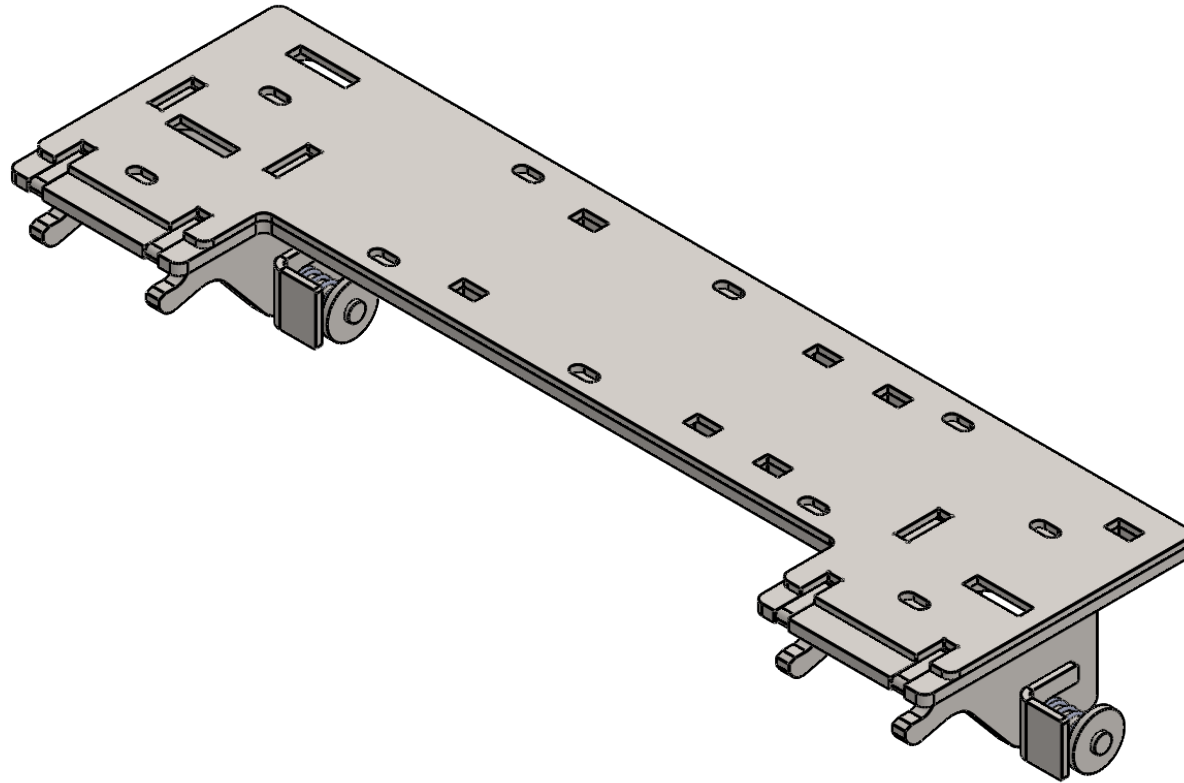


2

1

B

B



A

A

TITLE:
Drago Mount

DO NOT SCALE DRAWING

MATERIAL

COMMENTS:

SIZE DWG. NO.

A DGT-MLH33

FINISH

SCALE: 1:4 WEIGHT:

SHEET 1 OF 1

PROPRIETARY AND CONFIDENTIAL
 THE INFORMATION CONTAINED IN THIS DRAWING IS THE SOLE
 PROPERTY OF NDY MANUFACTURING. ANY REPRODUCTION IN
 PART OR AS A WHOLE WITHOUT THE WRITTEN PERMISSION OF NDY
 MANUFACTURING IS PROHIBITED.



2

1