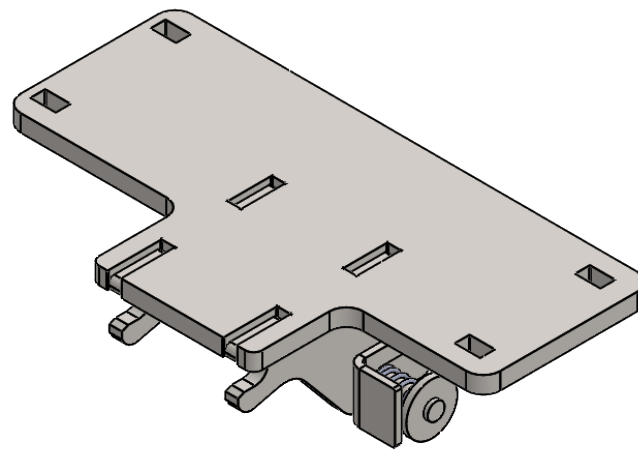


2

1

B

B



A

A

TITLE:
Drago Mount

DO NOT SCALE DRAWING

MATERIAL

COMMENTS:

SIZE	DWG. NO.
A	DGT-MLH35

PROPRIETARY AND CONFIDENTIAL
 THE INFORMATION CONTAINED IN THIS DRAWING IS THE SOLE PROPERTY OF NDY MANUFACTURING. ANY REPRODUCTION IN PART OR AS A WHOLE WITHOUT THE WRITTEN PERMISSION OF NDY MANUFACTURING IS PROHIBITED.



FINISH

SCALE: 1:4	WEIGHT:	SHEET 1 OF 1
------------	---------	--------------

2

1