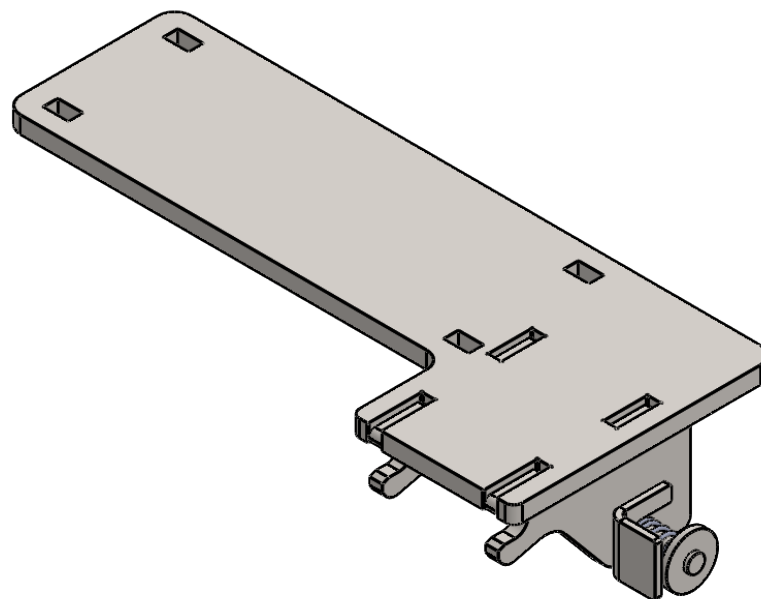


2

1

B

B



A

A

TITLE:  
**Drago Mount**

DO NOT SCALE DRAWING

MATERIAL

COMMENTS:

SIZE

DWG. NO.

**A** DGT-MRH34

FINISH

SCALE: 1:4

WEIGHT:

SHEET 1 OF 1

**PROPRIETARY AND CONFIDENTIAL**  
 THE INFORMATION CONTAINED IN THIS DRAWING IS THE SOLE  
 PROPERTY OF NDY MANUFACTURING. ANY REPRODUCTION IN  
 PART OR AS A WHOLE WITHOUT THE WRITTEN PERMISSION OF NDY  
 MANUFACTURING IS PROHIBITED.



2

1