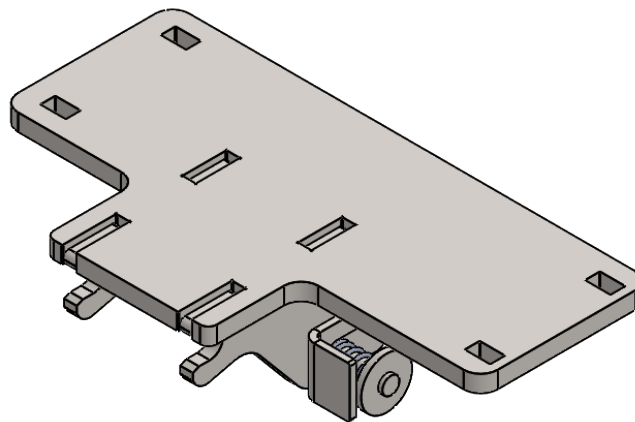


2

1

B

B



A

A

TITLE:
Drago Mount

MATERIAL

COMMENTS:

SIZE

DWG. NO.

A DGT-MRH35

FINISH

SCALE: 1:4

WEIGHT:

SHEET 1 OF 1

DO NOT SCALE DRAWING

PROPRIETARY AND CONFIDENTIAL

THE INFORMATION CONTAINED IN THIS DRAWING IS THE SOLE PROPERTY OF NDY MANUFACTURING. ANY REPRODUCTION IN PART OR AS A WHOLE WITHOUT THE WRITTEN PERMISSION OF NDY MANUFACTURING IS PROHIBITED.



2

1