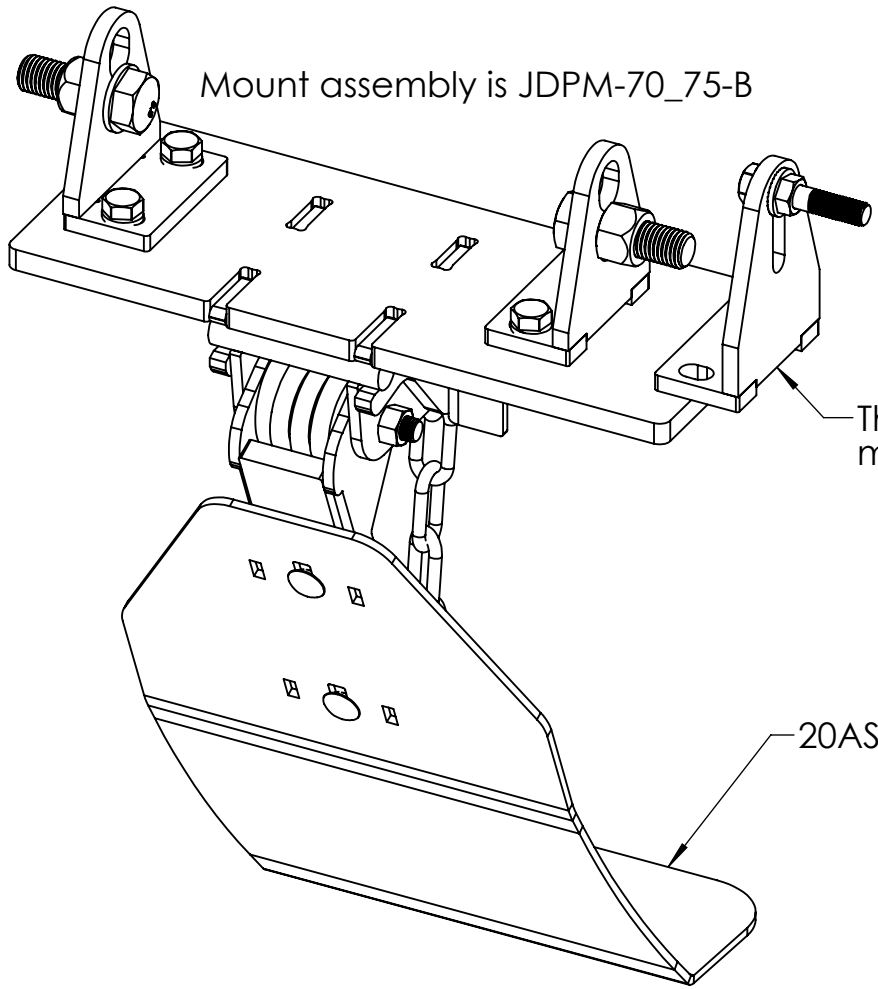


2

1



Mount assembly is JDPM-70_75-B

This bracket used for older models with raise/lower switch

20AS-AR529

12 Row planters require Qty 2 of these assemblies
16 Row (or more) planters require Qty 1 of these assemblies

TITLE:
**Planter Stomper for
 John Deere 1770/1775**

DO NOT SCALE DRAWING

PROPRIETARY AND CONFIDENTIAL
 THE INFORMATION CONTAINED IN THIS DRAWING IS THE SOLE
 PROPERTY OF NDY MANUFACTURING. ANY REPRODUCTION IN
 PART OR AS A WHOLE WITHOUT THE WRITTEN PERMISSION OF NDY
 MANUFACTURING IS PROHIBITED.



MATERIAL	COMMENTS:
FINISH	

SIZE	DWG. NO.
A	JD-PS70_75-B
SCALE: 1:4	WEIGHT:
SHEET 1 OF 1	

2

1

B

B

A

A