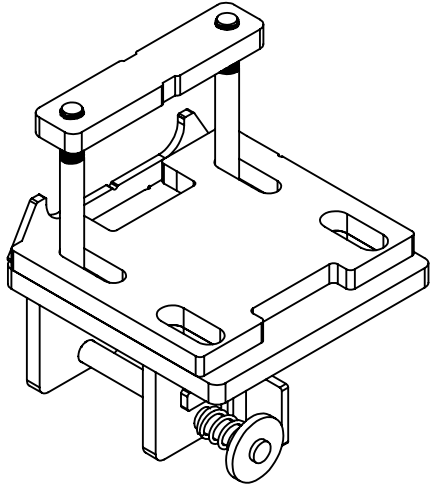
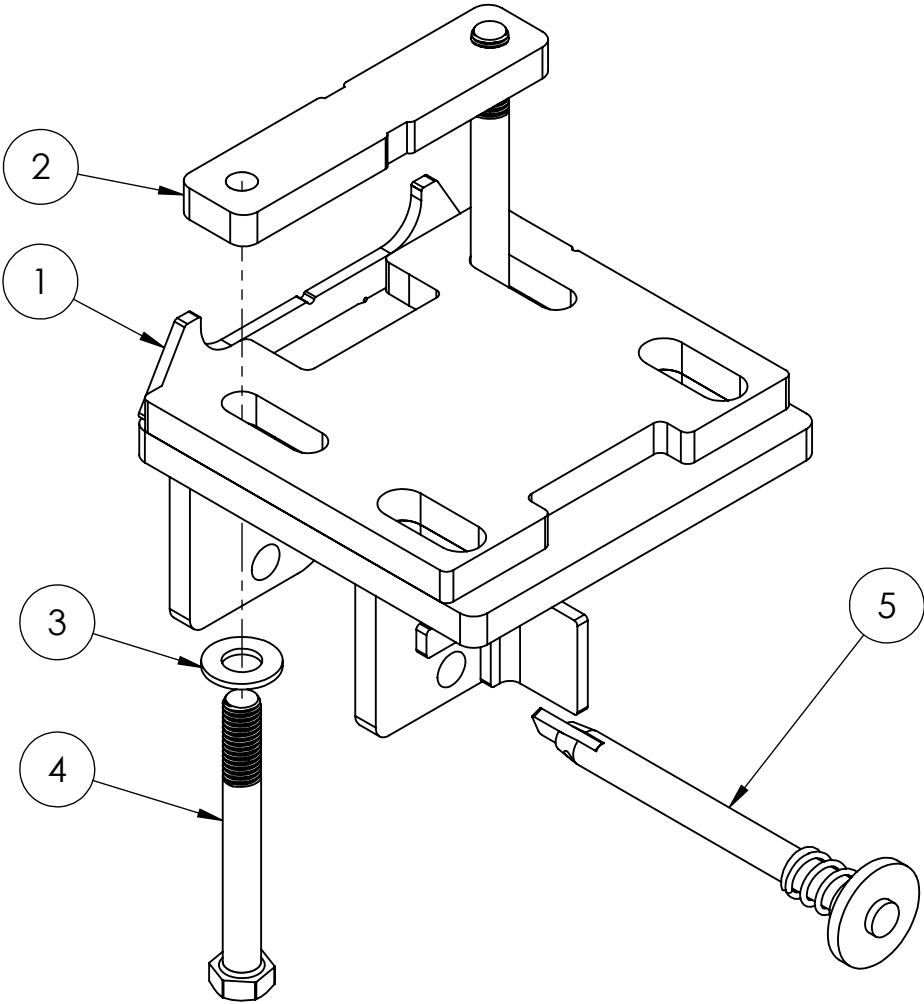
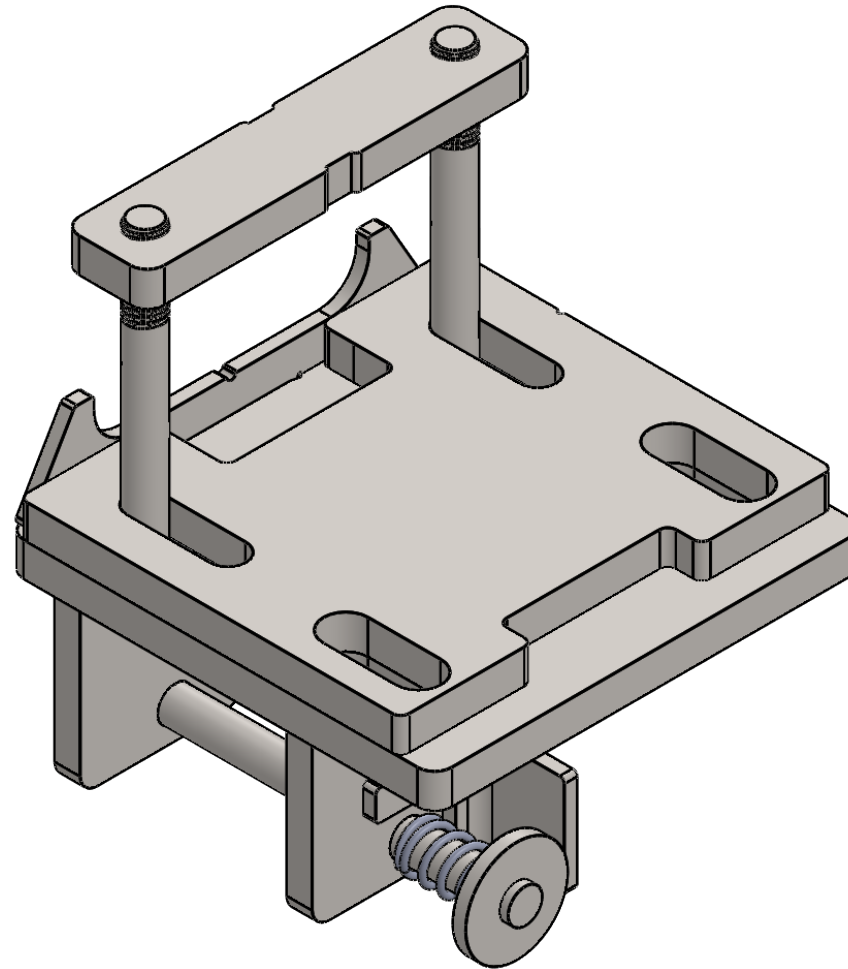


ITEM	PART #	DESCRIPTION	QTY.
1	JD600M-XLH	Left Bracket	1
2	20-5012	Strap	1
3	99008	1/2" Washer	2
4	99009	1/2-13 x 4-1/4" Hex Bolt	2
5	99216	Quick Tach Pin	1



PROPRIETARY AND CONFIDENTIAL			
<p>THE INFORMATION CONTAINED IN THIS DRAWING IS THE SOLE PROPERTY OF NOT DEAD YET MANUFACTURING, INC. ANY REPRODUCTION IN PART OR AS A WHOLE WITHOUT THE WRITTEN PERMISSION OF NOT DEAD YET MANUFACTURING, INC. IS PROHIBITED.</p>		<p>TITLE:</p> <h2>Standard Left Hand Mount</h2>	
COMMENTS:		<p>SIZE DWG. NO.</p> <p>A JD600M-XLH-A</p>	<p>REV</p>
SCALE: 2:5	WEIGHT:	SHEET 1 OF 2	





PROPRIETARY AND CONFIDENTIAL

THE INFORMATION CONTAINED IN THIS DRAWING IS THE SOLE PROPERTY OF NOT DEAD YET MANUFACTURING, INC. ANY REPRODUCTION IN PART OR AS A WHOLE WITHOUT THE WRITTEN PERMISSION OF NOT DEAD YET MANUFACTURING, INC. IS PROHIBITED.

COMMENTS:

TITLE:

Standard Left
Hand Mount

SIZE

A

DWG. NO.

JD600M-XLH-A

REV

SCALE: 1:2

WEIGHT:

SHEET 2 OF 2