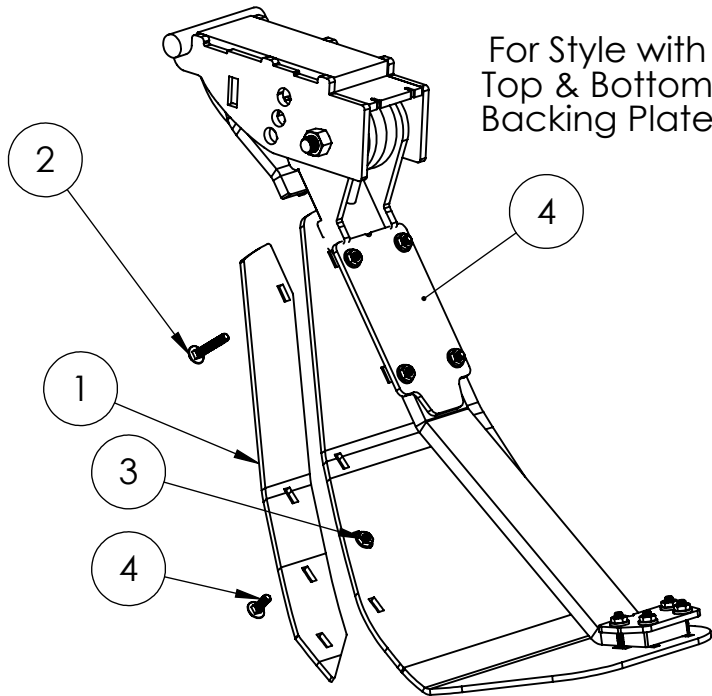


ITEM	PART #	DESCRIPTION	QTY.
1	20-1064B(L)	Wear Strip, Left	1
2	99159	1/4"-20 x 1.5" Carriage Bolt	1
3	99020	1/4-20 Serrated Flanged Nut	4
4	99158	1/4"-20 x .75" Carriage Bolt	3
17	99019	1/4-20 x 1-1/4" Carriage Bolt	6

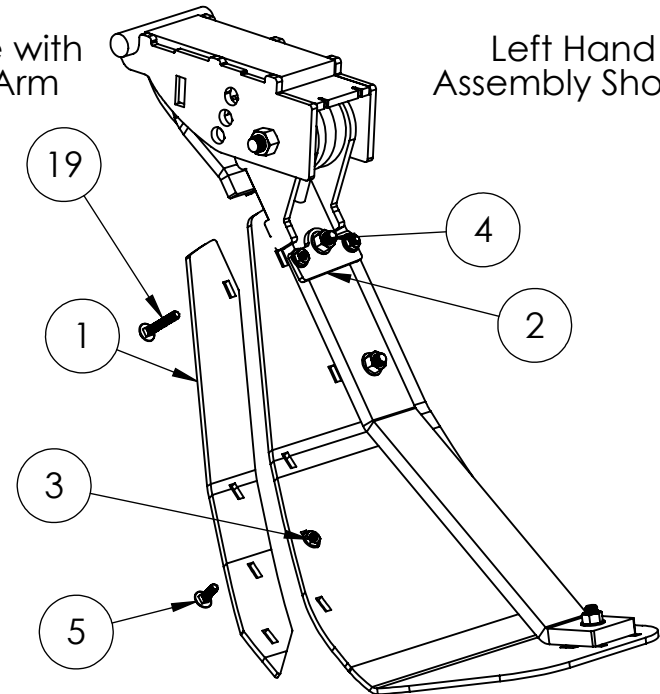
Left Hand
Assembly Shown



ITEM	PART #	DESCRIPTION	QTY.
1	20-1064B(L)	Wear Strip, Left	1
2	20-1100B	Wear Strip Tab	1
3	99020	1/4-20 Serrated Flanged Nut	4
4	99157	3/8"-16 x 1.5" Carriage Bolt	1
5	99158	1/4"-20 x .75" Carriage Bolt	3
19	99159	1/4"-20 x 1.5" Carriage Bolt	1

For Style with
3 Bolt Arm

Left Hand
Assembly Shown



PROPRIETARY AND CONFIDENTIAL

THE INFORMATION CONTAINED IN THIS DRAWING IS THE SOLE PROPERTY OF NOT DEAD YET MANUFACTURING, INC. ANY REPRODUCTION IN PART OR AS A WHOLE WITHOUT THE WRITTEN PERMISSION OF NOT DEAD YET MANUFACTURING, INC. IS PROHIBITED.

COMMENTS:

Shoe Shown is
20AS-AR550(L)

TITLE:

Left Hand
Stomper
Wear Strip

SIZE

A

DWG. NO.

WS-1064KL

REV

SCALE: 1:6

WEIGHT:

SHEET 1 OF 1