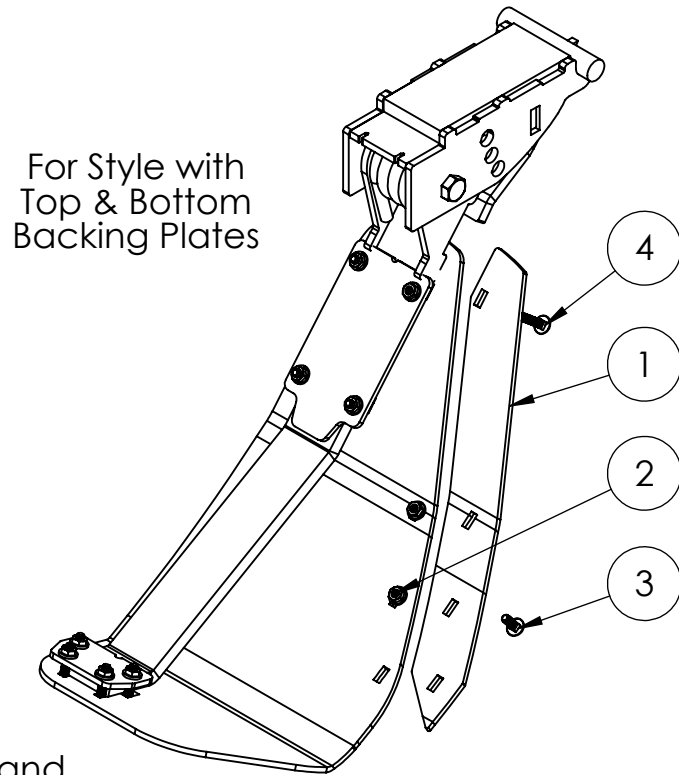


ITEM	PART #	DESCRIPTION	QTY.
1	20-1064B(R)	Wear Strip, Right	1
2	99020	1/4-20 Serrated Flanged Nut	3
3	99158	1/4"-20 x .75" Carriage Bolt	3
4	99159	1/4"-20 x 1.5" Carriage Bolt	1

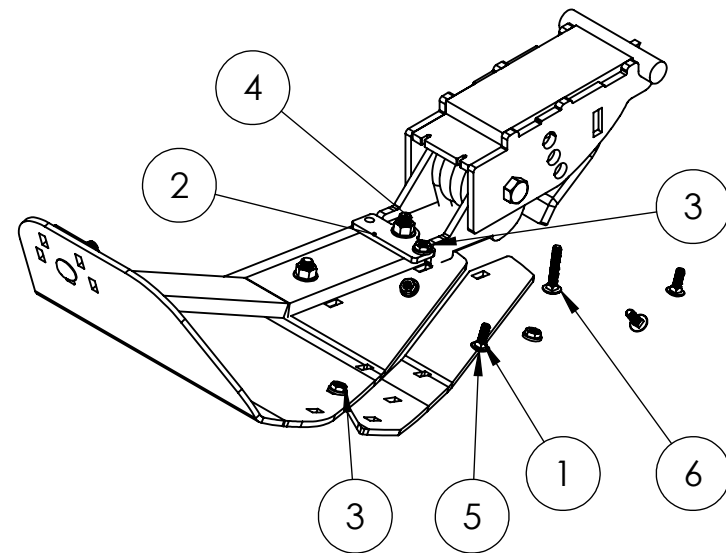


Right Hand Assembly Shown

ITEM	PART #	DESCRIPTION	QTY.
1	20-1064B(R)	Wear Strip, Right	1
2	20-1100B	Wear Strip Tab	1
3	99020	1/4-20 Serrated Flanged Nut	4
4	99157	3/8"-16 x 1.5" Carriage Bolt	1
5	99158	1/4"-20 x .75" Carriage Bolt	3
6	99159	1/4"-20 x 1.5" Carriage Bolt	1
7	99203	Torsion Spring	1

For Style with 3 Bolt Arm

Right Hand Assembly Shown



PROPRIETARY AND CONFIDENTIAL

THE INFORMATION CONTAINED IN THIS DRAWING IS THE SOLE PROPERTY OF NOT DEAD YET MANUFACTURING, INC. ANY REPRODUCTION IN PART OR AS A WHOLE WITHOUT THE WRITTEN PERMISSION OF NOT DEAD YET MANUFACTURING, INC. IS PROHIBITED.

COMMENTS:

Shoe Shown is 20AS-AR551 (R)

TITLE:

Right Hand Stomper Wear Strip

SIZE	DWG. NO.	REV
A	WS-1064KR	

SCALE: 1:6	WEIGHT:	SHEET 1 OF 1
------------	---------	--------------