

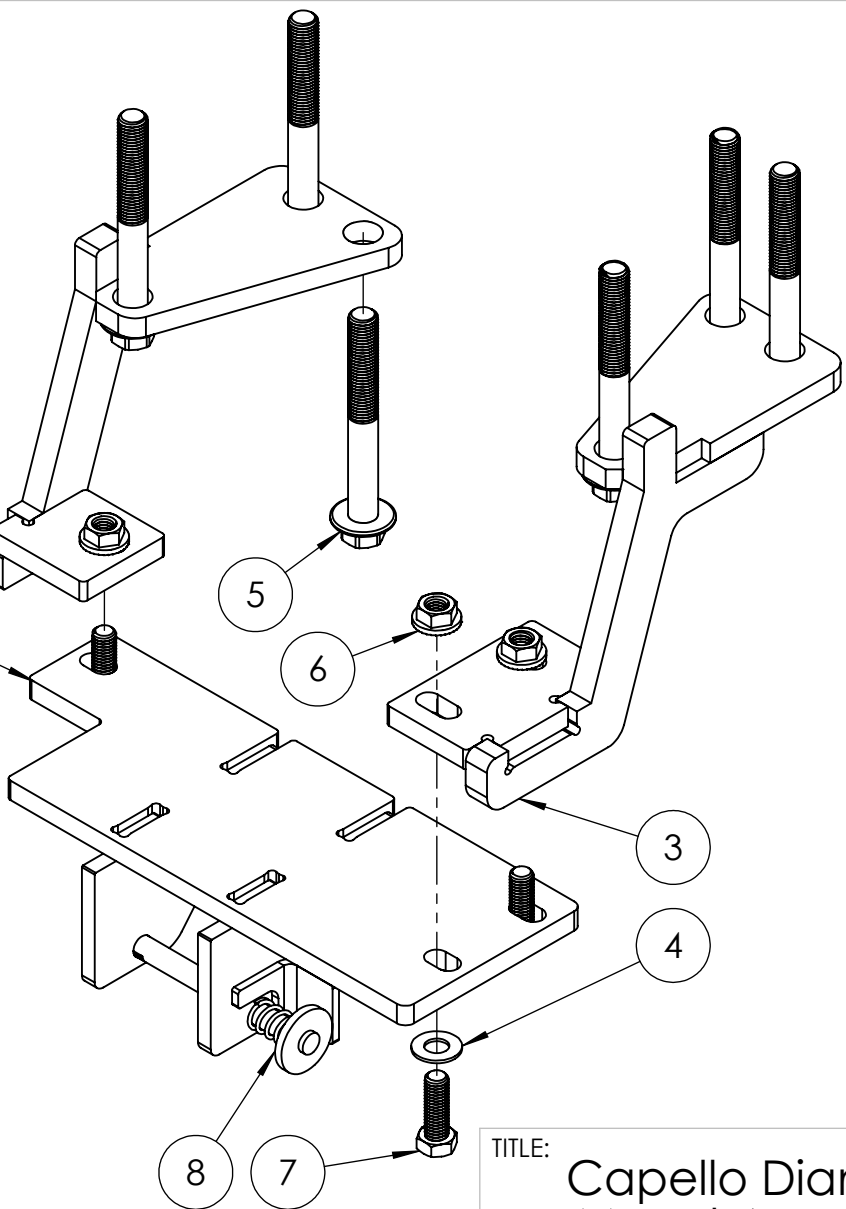
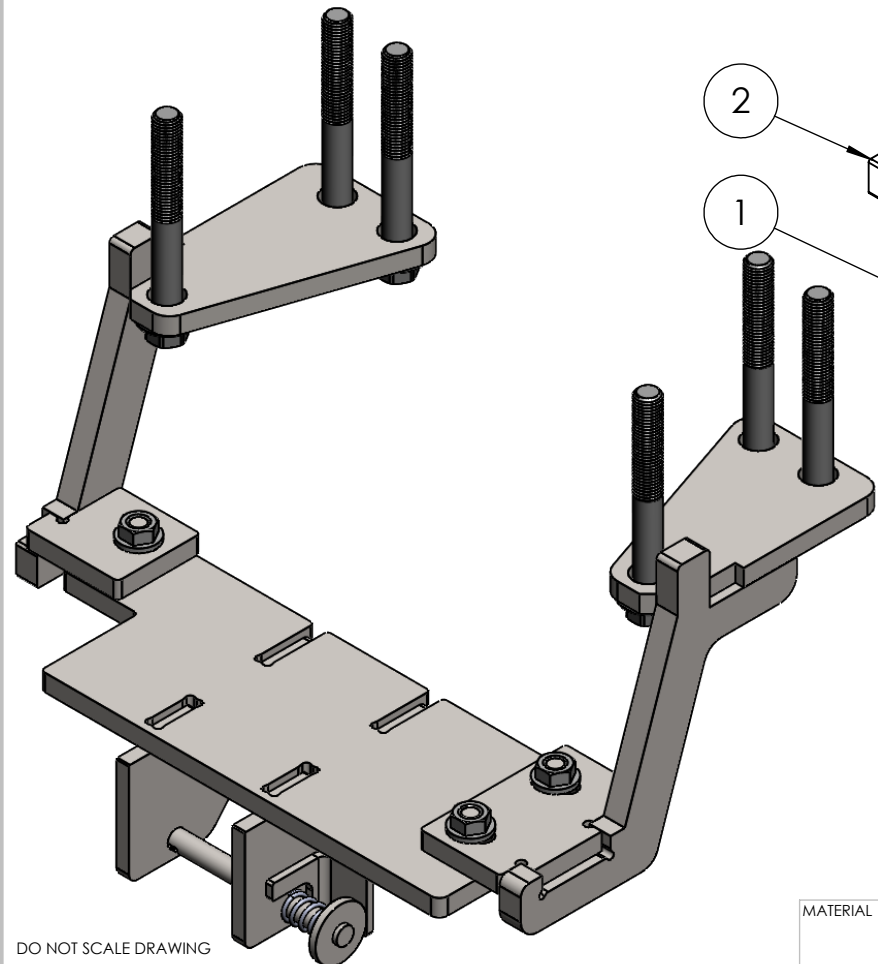
2

1

ITEM	PART #	DESCRIPTION	QTY.
1	CAPD-12F10-M	Capello Diamant Mount Base	1
2	CAPD-12F10-ML	Capello Diamant Mount Arm Left	1
3	CAPD-MR	Capello Diamant Mount Arm Right	1
4	99005	1/2" Washer	3
5	99010	M16 x 2.0 x 130mm Flanged Hex Bolt	6
6	99025	1/2-13 Serrated Flanged Nut	3
7	99121	1/2-13 x 1-1/2 HCS	3
8	99216	Quick Tach Pin	1

B

B



A

A

Row 10 on 12 Row Folding

TITLE:
Capello Diamant Mount Assembly

MATERIAL	COMMENTS:
FINISH	

SIZE	DWG. NO.
A	CAPD-12F10-MA
SCALE: 1:4	WEIGHT:
	SHEET 1 OF 1

DO NOT SCALE DRAWING

PROPRIETARY AND CONFIDENTIAL

THE INFORMATION CONTAINED IN THIS DRAWING IS THE SOLE PROPERTY OF NDY MANUFACTURING. ANY REPRODUCTION IN PART OR AS A WHOLE WITHOUT THE WRITTEN PERMISSION OF NDY MANUFACTURING IS PROHIBITED.



2

1