

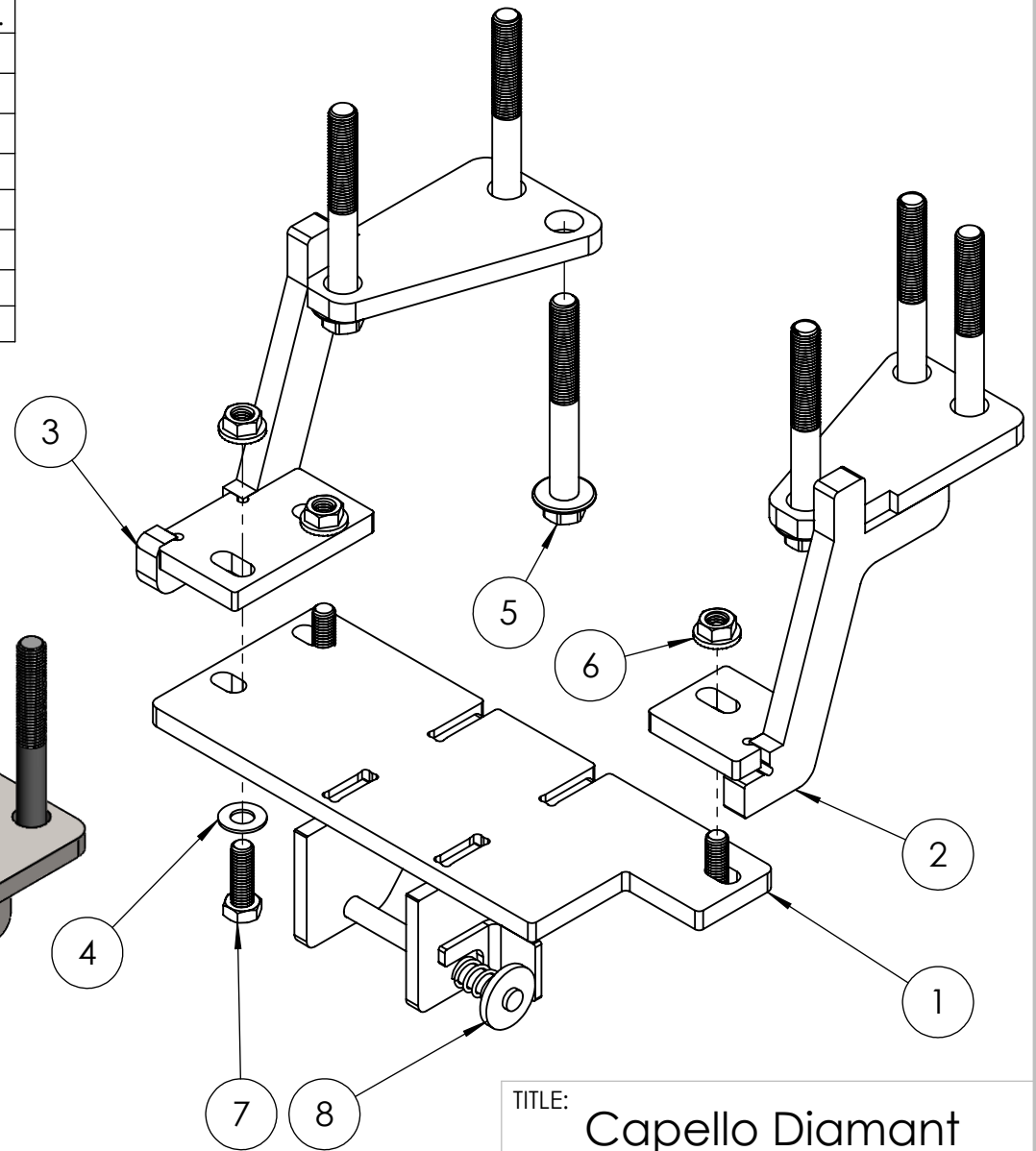
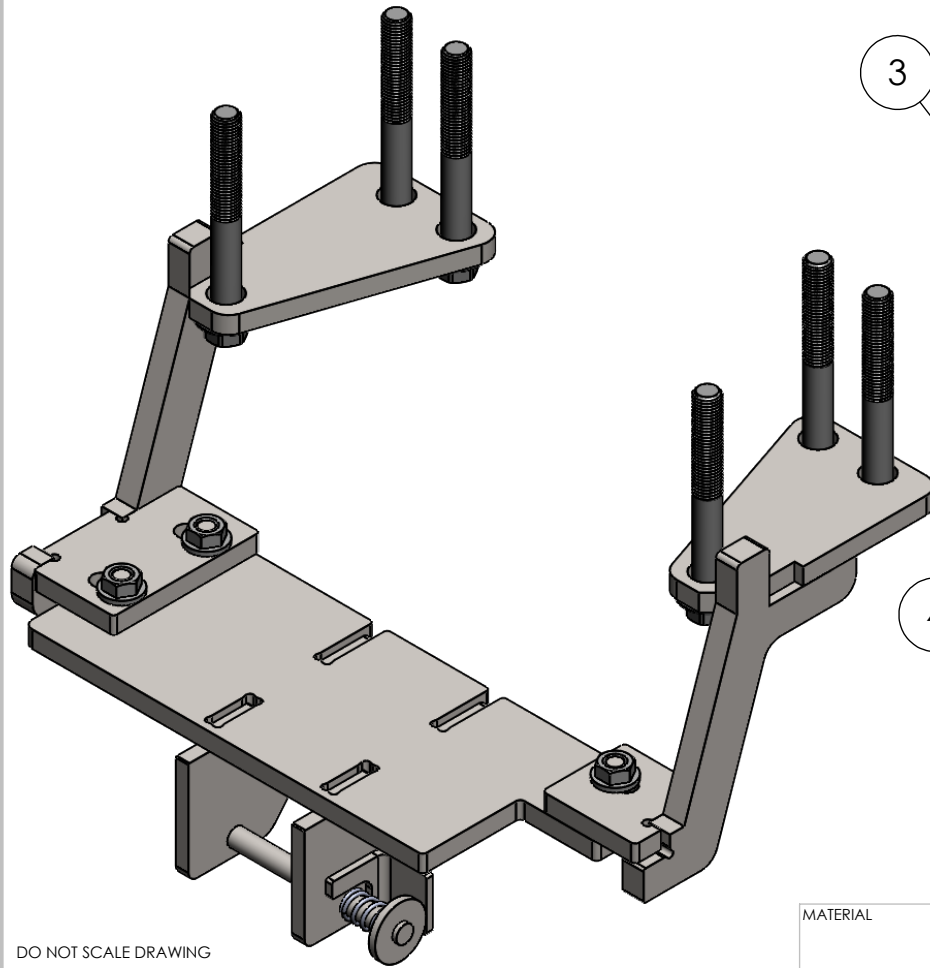
2

1

ITEM	PART #	DESCRIPTION	QTY.
1	CAPD-12F3-M	Capello Diamant Mount Base	1
2	CAPD-12F3-MR	Capello Diamant Mount Arm Right	1
3	CAPD-ML	Capello Diamant Mount Arm Left	1
4	99005	1/2" Washer	3
5	99010	M16 x 2.0 x 130mm Flanged Hex Bolt	6
6	99025	1/2-13 Serrated Flanged Nut	3
7	99121	1/2-13 x 1-1/2 HCS	3
8	99216	Quick Tach Pin	1

B

B



A

A

Row 3 on 12 Row Folding

TITLE:		Capello Diamant Mount Assembly	
SIZE	DWG. NO.	A CAPD-12F3-MA	
SCALE: 1:4	WEIGHT:	SHEET 1 OF 1	

MATERIAL	COMMENTS:
FINISH	

DO NOT SCALE DRAWING

PROPRIETARY AND CONFIDENTIAL
 THE INFORMATION CONTAINED IN THIS DRAWING IS THE SOLE PROPERTY OF NDY MANUFACTURING. ANY REPRODUCTION IN PART OR AS A WHOLE WITHOUT THE WRITTEN PERMISSION OF NDY MANUFACTURING IS PROHIBITED.



2

1