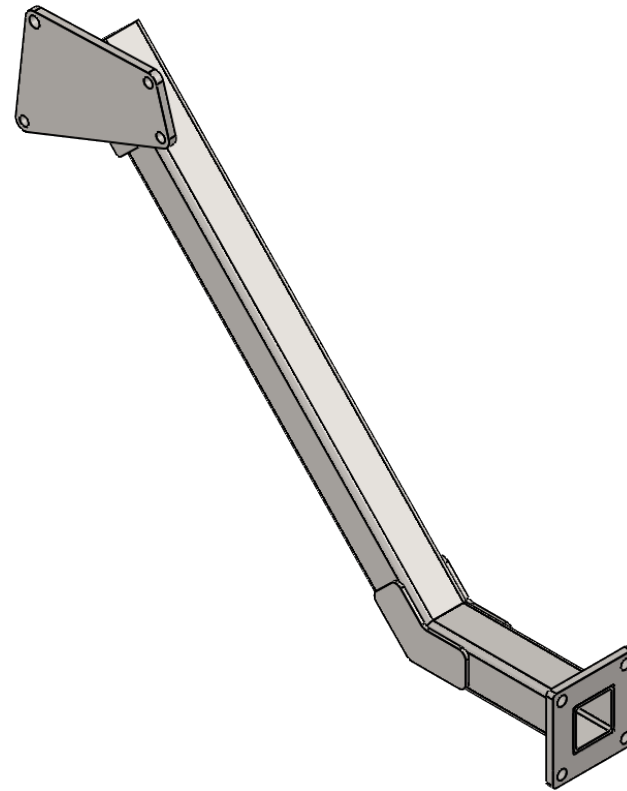


2

1

B

B



A

A

TITLE:
**Case "B" Frame
 Right Mount**

MATERIAL	COMMENTS:	SIZE	DWG. NO.
FINISH		A	26-9014
Powder Coat Black		SCALE: 1:10	WEIGHT: SHEET 1 OF 2

DO NOT SCALE DRAWING

PROPRIETARY AND CONFIDENTIAL

THE INFORMATION CONTAINED IN THIS DRAWING IS THE SOLE PROPERTY OF NDY MANUFACTURING. ANY REPRODUCTION IN PART OR AS A WHOLE WITHOUT THE WRITTEN PERMISSION OF NDY MANUFACTURING IS PROHIBITED.



2

1

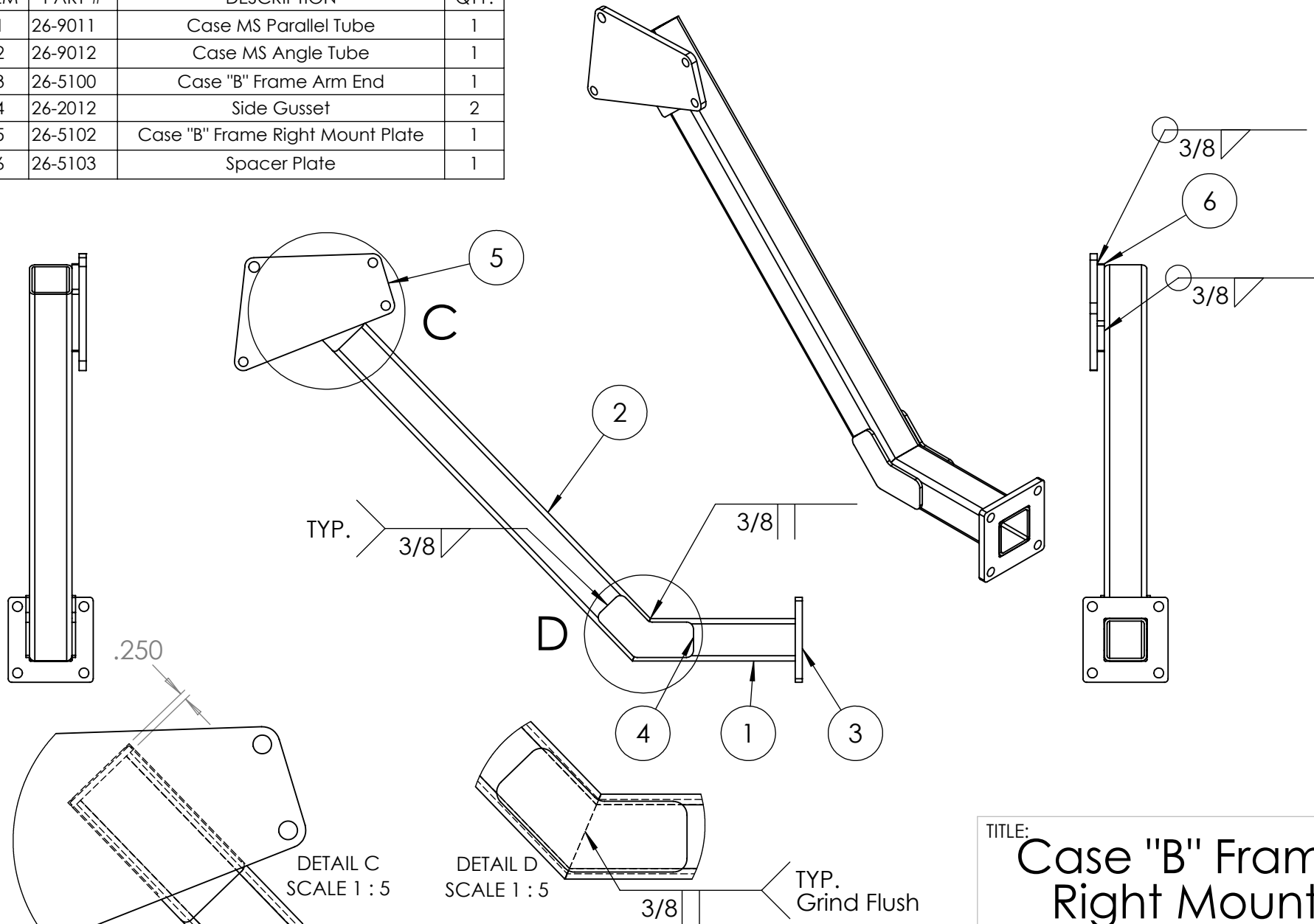
2

1

ITEM	PART #	DESCRIPTION	QTY.
1	26-9011	Case MS Parallel Tube	1
2	26-9012	Case MS Angle Tube	1
3	26-5100	Case "B" Frame Arm End	1
4	26-2012	Side Gusset	2
5	26-5102	Case "B" Frame Right Mount Plate	1
6	26-5103	Spacer Plate	1

B

B



A

A

TITLE:
**Case "B" Frame
 Right Mount**

DO NOT SCALE DRAWING

PROPRIETARY AND CONFIDENTIAL
 THE INFORMATION CONTAINED IN THIS DRAWING IS THE SOLE
 PROPERTY OF NDY MANUFACTURING. ANY REPRODUCTION IN
 PART OR AS A WHOLE WITHOUT THE WRITTEN PERMISSION OF NDY
 MANUFACTURING IS PROHIBITED.



MATERIAL
 FINISH
 Powder Coat Black

COMMENTS:

SIZE DWG. NO.
A 26-9014
 SCALE: 1:10 WEIGHT: SHEET 2 OF 2

2

1