

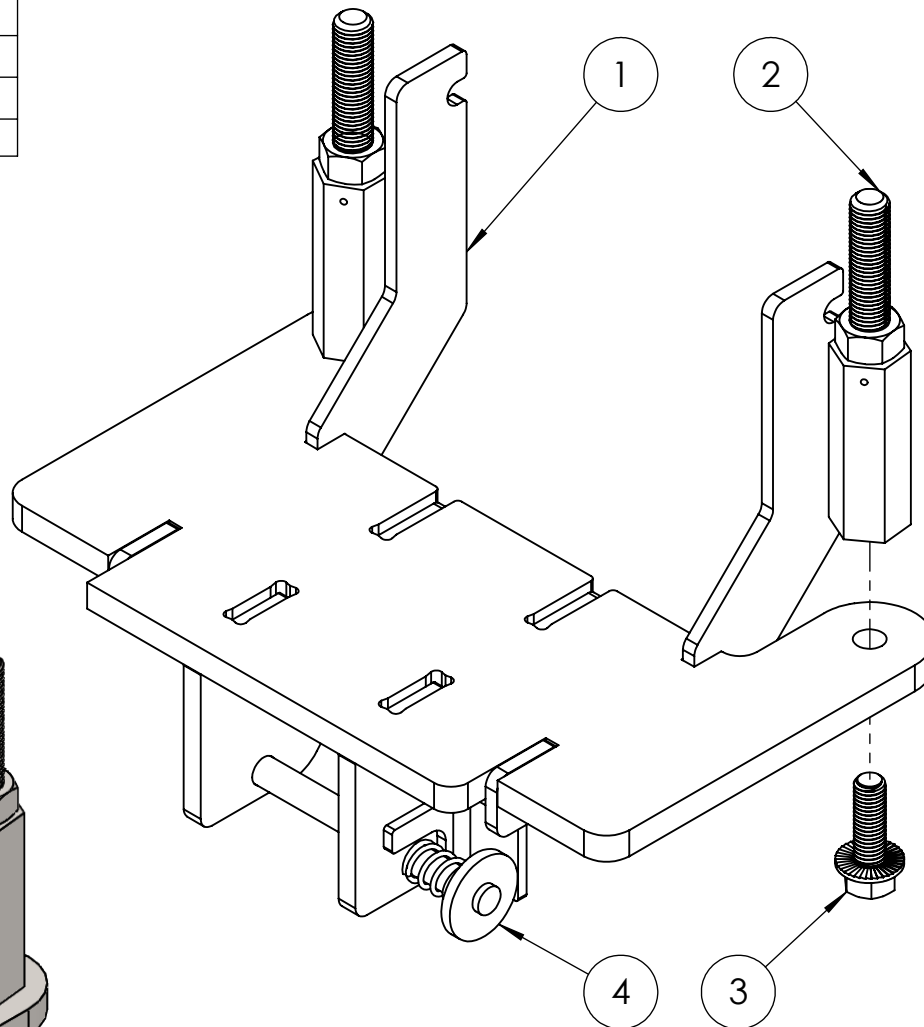
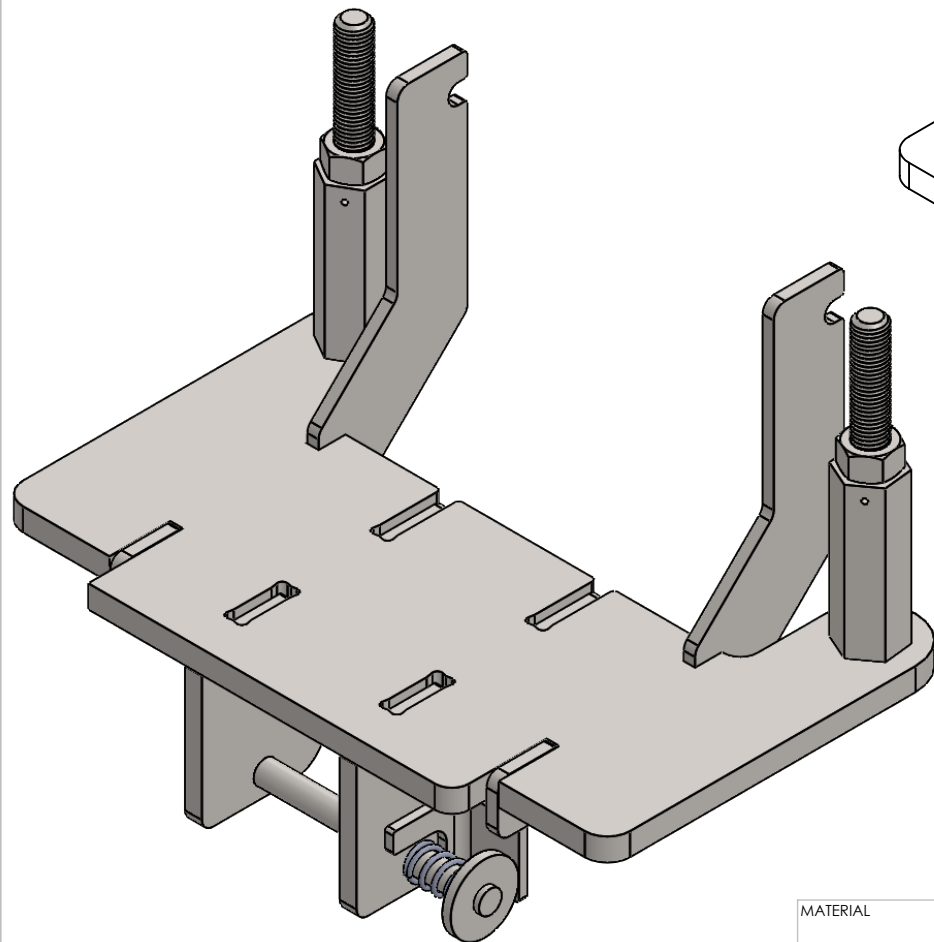
2

1

ITEM	PART #	DESCRIPTION	QTY.
1	CAPLX-HYD-M	Capello Hyd. Row for 20" Head	1
2	20-922	Mount Spacer	2
3	99150	1/2"-13 x 1.5" Serrated Flange Cap Screw	2
4	99216	Quick Tach Pin	1

B

B



A

A

TITLE:

MATERIAL

COMMENTS:

SIZE DWG. NO.

A CAPLX-HYD-MA

FINISH

SCALE: 1:3 WEIGHT:

SHEET 1 OF 1

DO NOT SCALE DRAWING

PROPRIETARY AND CONFIDENTIAL

THE INFORMATION CONTAINED IN THIS DRAWING IS THE SOLE PROPERTY OF NDI MANUFACTURING. ANY REPRODUCTION IN PART OR AS A WHOLE WITHOUT THE WRITTEN PERMISSION OF NDI MANUFACTURING IS PROHIBITED.



2

1