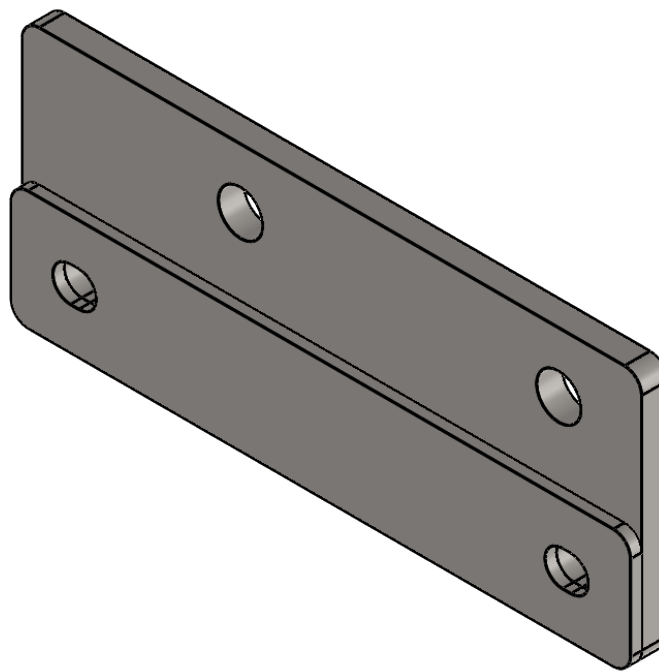


2

1

B

B



A

A

TITLE:
**Case Underside
 Bracket 2**

DO NOT SCALE DRAWING

MATERIAL

COMMENTS:

SIZE

DWG. NO.

A MSCASE-B2

FINISH

5/1/2019

SCALE: 1:2

WEIGHT: 4.19lbs

SHEET 1 OF 2

PROPRIETARY AND CONFIDENTIAL
 THE INFORMATION CONTAINED IN THIS DRAWING IS THE SOLE
 PROPERTY OF NDY MANUFACTURING. ANY REPRODUCTION IN
 PART OR AS A WHOLE WITHOUT THE WRITTEN PERMISSION OF NDY
 MANUFACTURING IS PROHIBITED.



2

1

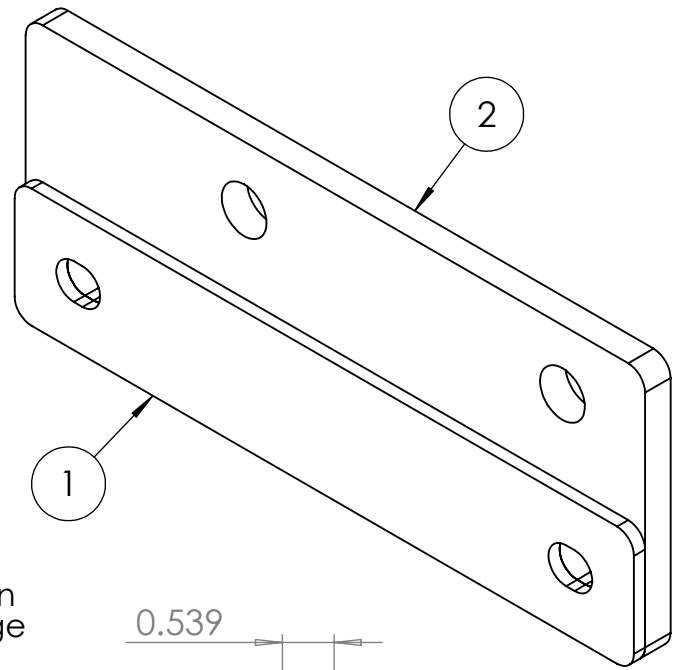
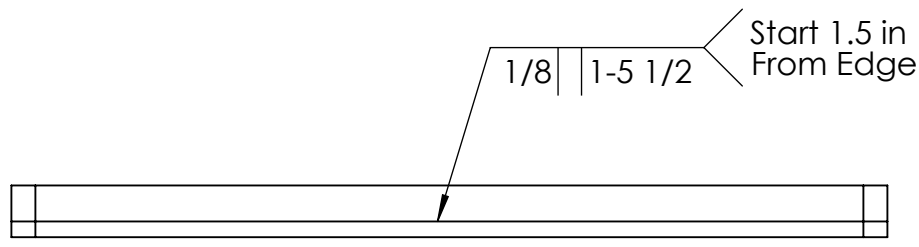
2

1

ITEM	PART #	DESCRIPTION	QTY.
1	26-0700	Top Mount Plate Stop 2	1
2	26-3000	Top Mount Plate	1

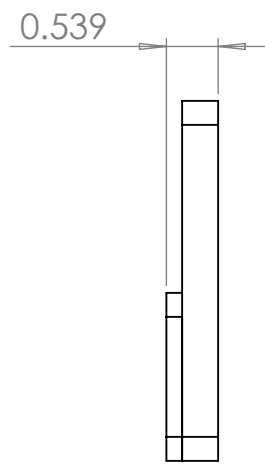
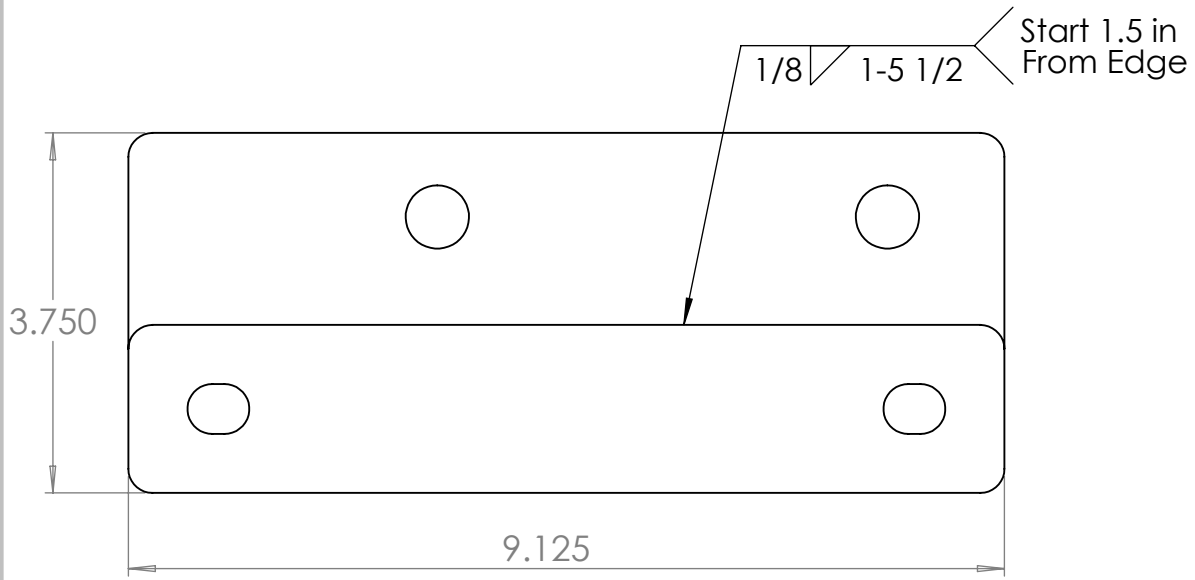
B

B



A

A



TITLE:
**Case Underside
 Bracket 2**

DO NOT SCALE DRAWING

PROPRIETARY AND CONFIDENTIAL
 THE INFORMATION CONTAINED IN THIS DRAWING IS THE SOLE PROPERTY OF NDY MANUFACTURING. ANY REPRODUCTION IN PART OR AS A WHOLE WITHOUT THE WRITTEN PERMISSION OF NDY MANUFACTURING IS PROHIBITED.



MATERIAL
 FINISH
 Powder Coat Black

COMMENTS:
 5/1/2019

SIZE DWG. NO.
A MSCASE-B2
 SCALE: 1:2 WEIGHT: 4.19lbs SHEET 2 OF 2

2

1