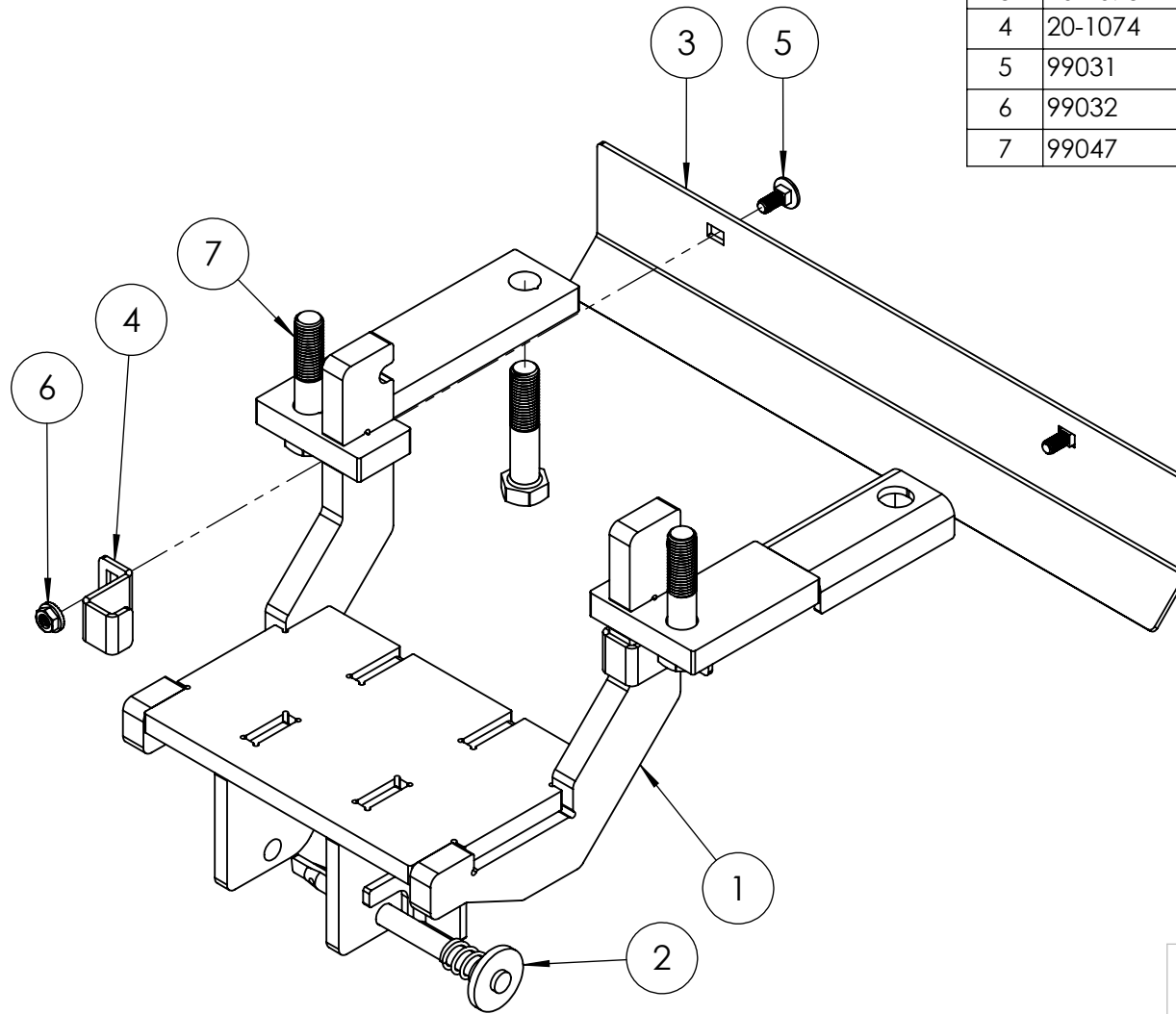


2

1

ITEM	PART #	DESCRIPTION	QTY.
1	CAPLX-M	Mount for Capello & Lexion	1
2	99216	Quick Tach Pin	1
3	20-1073	Guard	1
4	20-1074	Clip	2
5	99031	5/16-18 x 3/4" Carriage Bolt	2
6	99032	5/16-18 Serrated Flanged Nut	2
7	99047	M16 X 2.0 X 75mm Grd 8.8 Hex Bolt	3



TITLE:

Capello Quasar Mount
2021 & Newer

SIZE DWG. NO.

A CAP21-MA

SCALE: 1:4 WEIGHT:

SHEET 1 OF 2

DO NOT SCALE DRAWING

PROPRIETARY AND CONFIDENTIAL

THE INFORMATION CONTAINED IN THIS DRAWING IS THE SOLE
PROPERTY OF NDY MANUFACTURING. ANY REPRODUCTION IN
PART OR AS A WHOLE WITHOUT THE WRITTEN PERMISSION OF NDY
MANUFACTURING IS PROHIBITED.



MATERIAL

COMMENTS:

FINISH

2

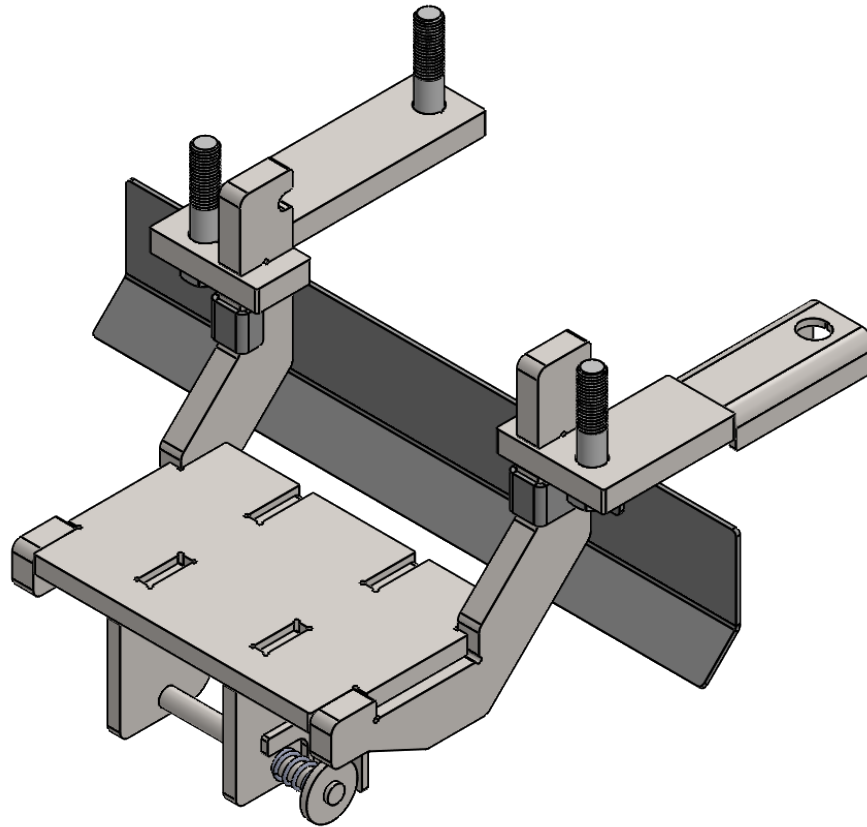
1

2

1

B

B



A

A

TITLE:
 Capello Quasar Mount
 2021 & Newer

DO NOT SCALE DRAWING

MATERIAL

COMMENTS:

SIZE

DWG. NO.

A CAP21-MA

FINISH

SCALE: 1:4

WEIGHT:

SHEET 2 OF 2

PROPRIETARY AND CONFIDENTIAL
 THE INFORMATION CONTAINED IN THIS DRAWING IS THE SOLE
 PROPERTY OF NDY MANUFACTURING. ANY REPRODUCTION IN
 PART OR AS A WHOLE WITHOUT THE WRITTEN PERMISSION OF NDY
 MANUFACTURING IS PROHIBITED.



2

1