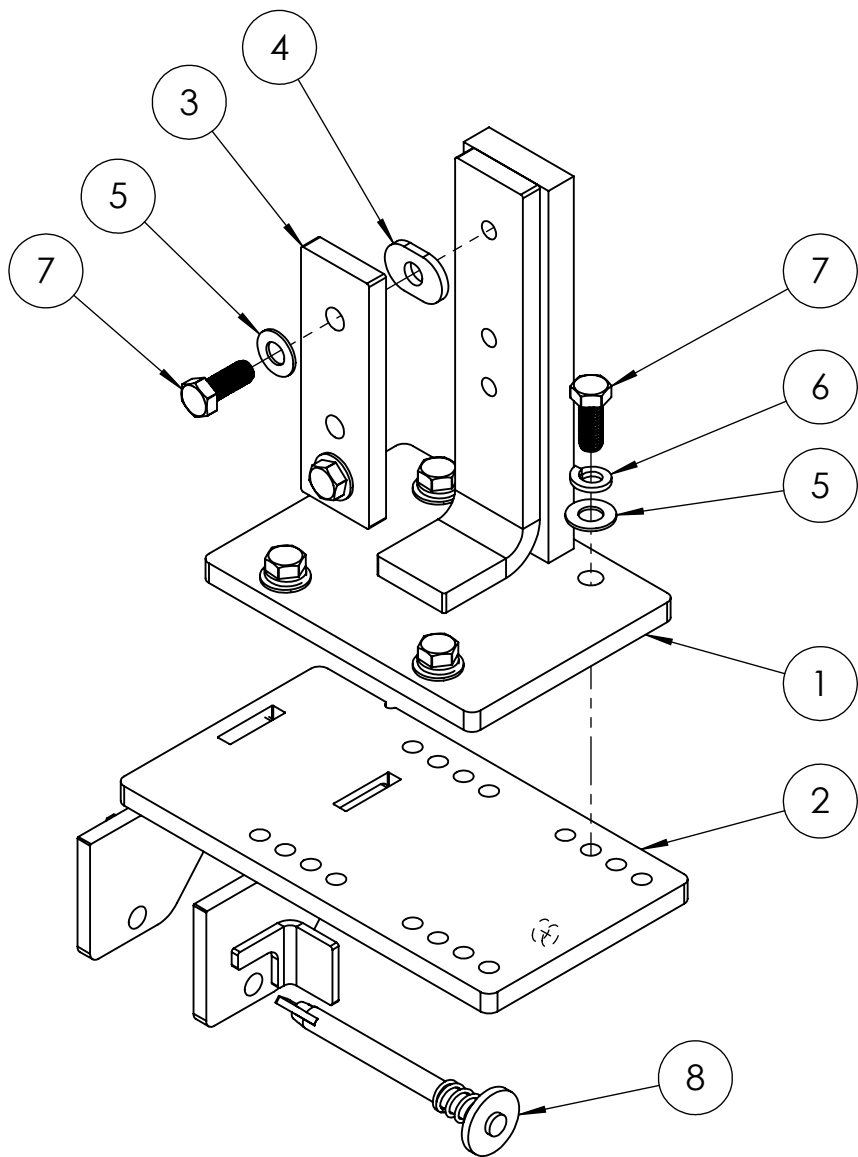


2

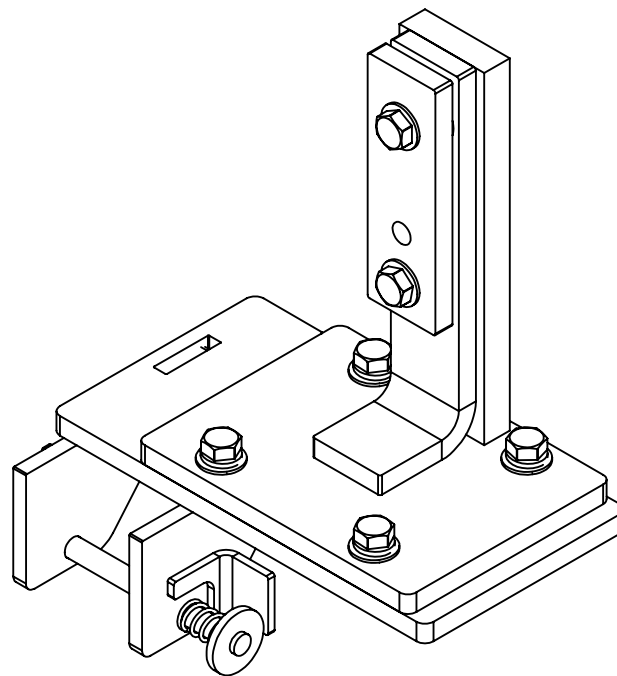
1

B

B



ITEM	PART #	DESCRIPTION	QTY.
1	D9110	Up Right Bracket	1
2	D9111R	Base Plate RH	1
3	DC50625	Flat Plate Washer	1
4	20-1039	Oval Washer	1
5	99005	1/2" Washer	6
6	99013	1/2" Lock Washer	4
7	99122	1/2-13 X 1-1/4 Hex Bolt	6
8	99216	Quick Tach Pin	1



A

A

TITLE:  
Drago Series II Chopping  
Single Mount

MATERIAL

COMMENTS:

SIZE DWG. NO.

FINISH

**A** D9100-MRA

SCALE: 1:4 WEIGHT: SHEET 1 OF 2

DO NOT SCALE DRAWING

PROPRIETARY AND CONFIDENTIAL

THE INFORMATION CONTAINED IN THIS DRAWING IS THE SOLE PROPERTY OF NDI MANUFACTURING. ANY REPRODUCTION IN PART OR AS A WHOLE WITHOUT THE WRITTEN PERMISSION OF NDI MANUFACTURING IS PROHIBITED.



2

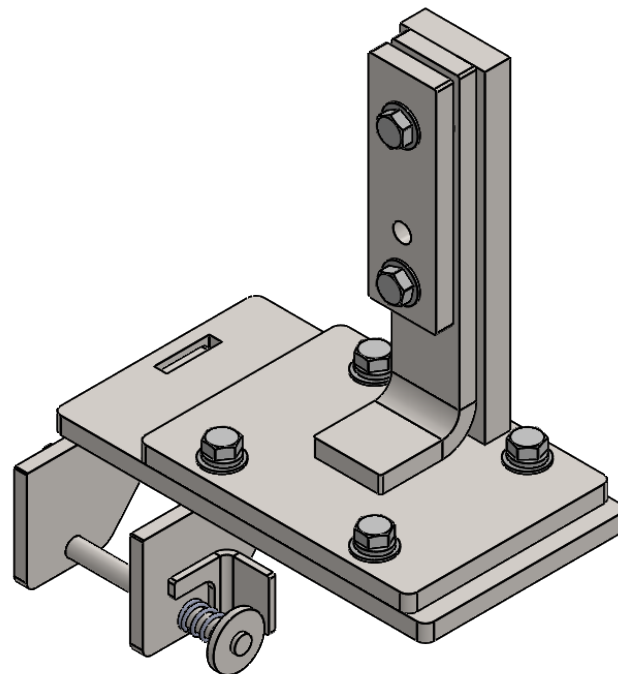
1

2

1

B

B



A

A

TITLE:  
 Drago Series II Chopping  
 Single Mount

DO NOT SCALE DRAWING

MATERIAL

COMMENTS:

SIZE

DWG. NO.

**A** D9100-MRA

FINISH

SCALE: 1:4

WEIGHT:

SHEET 2 OF 2

**PROPRIETARY AND CONFIDENTIAL**  
 THE INFORMATION CONTAINED IN THIS DRAWING IS THE SOLE  
 PROPERTY OF NDY MANUFACTURING. ANY REPRODUCTION IN  
 PART OR AS A WHOLE WITHOUT THE WRITTEN PERMISSION OF NDY  
 MANUFACTURING IS PROHIBITED.



2

1