

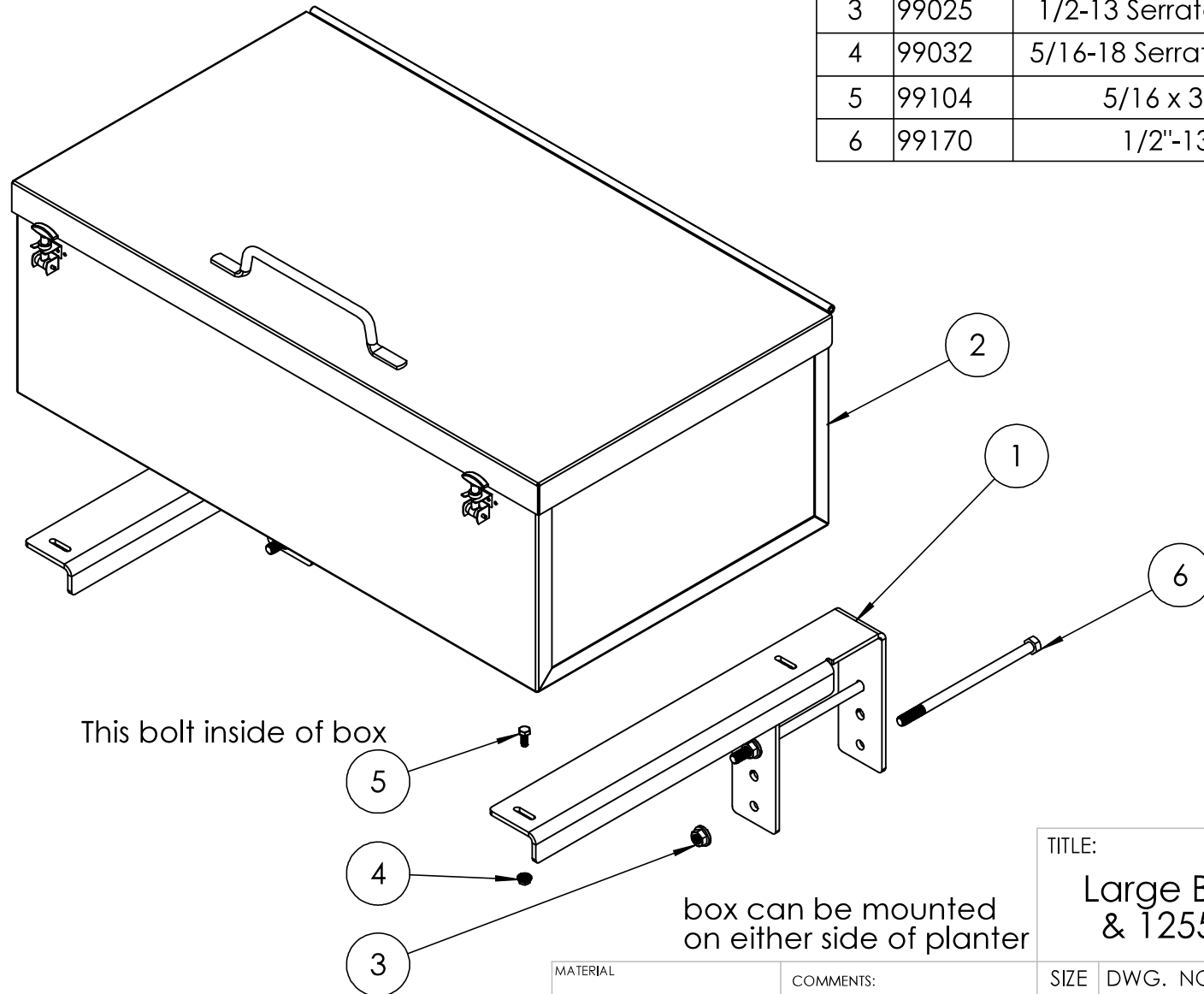
2

1

ITEM	PART #	DESCRIPTION	QTY.
1	38-9000	Planter Storage Box Mount	2
2	38-9008	Large Storage Box	1
3	99025	1/2-13 Serrated Flanged Nut	4
4	99032	5/16-18 Serrated Flanged Nut	4
5	99104	5/16 x 3/4 Hex Bolt	4
6	99170	1/2"-13 x 9" HCS	4

B

B



This bolt inside of box

box can be mounted on either side of planter

TITLE:  
**Large Box for Case 1250  
 & 1255 24 Row Planter**

SIZE DWG. NO.  
**A CA125-LUB-24**  
 SCALE: 1:8 WEIGHT: SHEET 2 OF 2

MATERIAL

COMMENTS:

FINISH

DO NOT SCALE DRAWING

PROPRIETARY AND CONFIDENTIAL

THE INFORMATION CONTAINED IN THIS DRAWING IS THE SOLE PROPERTY OF NDY MANUFACTURING. ANY REPRODUCTION IN PART OR AS A WHOLE WITHOUT THE WRITTEN PERMISSION OF NDY MANUFACTURING IS PROHIBITED.



2

1

A

A