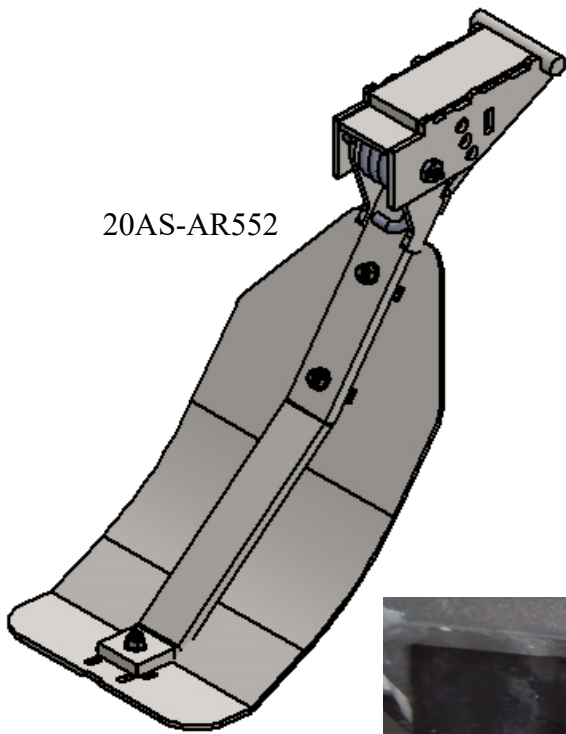


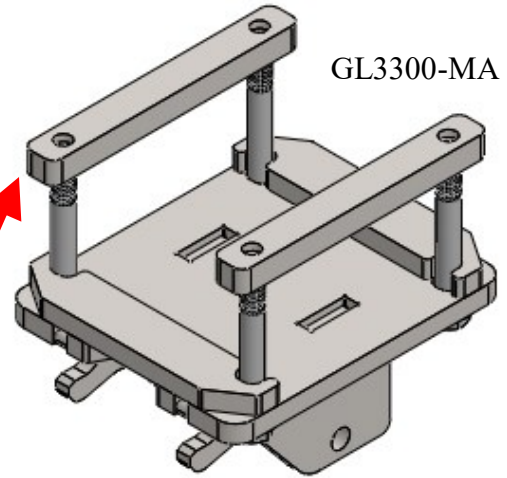
AGCO 3300
 Gleaner 3300
 Massey Ferguson 3300
 Challenger 3300

All Rows

20AS-AR552



GL3300-MA

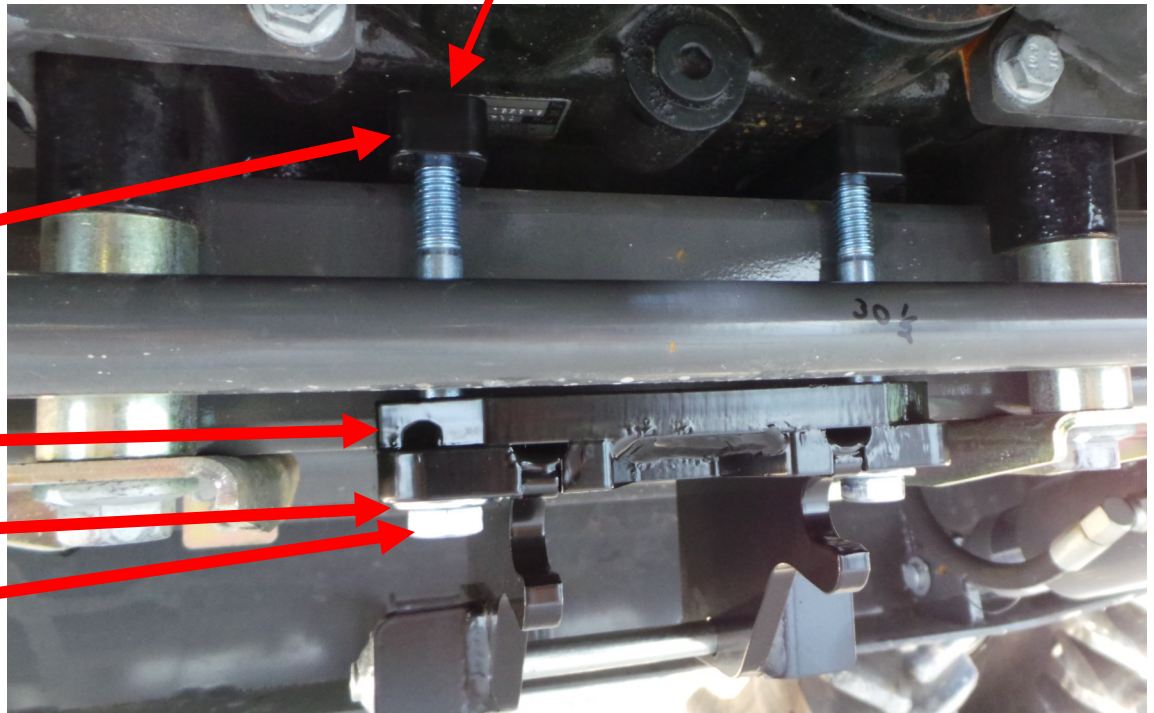


20-6100

GL3300-M

99005

99009



1. Place straps (20-6100) into cavities below gearboxes.
2. Use 99005 & 99009 to bolt up mount

Parts list per individual row

Part #	Description	QTY
20AS-AR552	Shoe Assembly	1
GL3300-M	Mount	1
20-6100	Strap	2
99005	1/2" Washer	4
99009	1/2"-13 x 4-1/4" Hex Bolt	4